

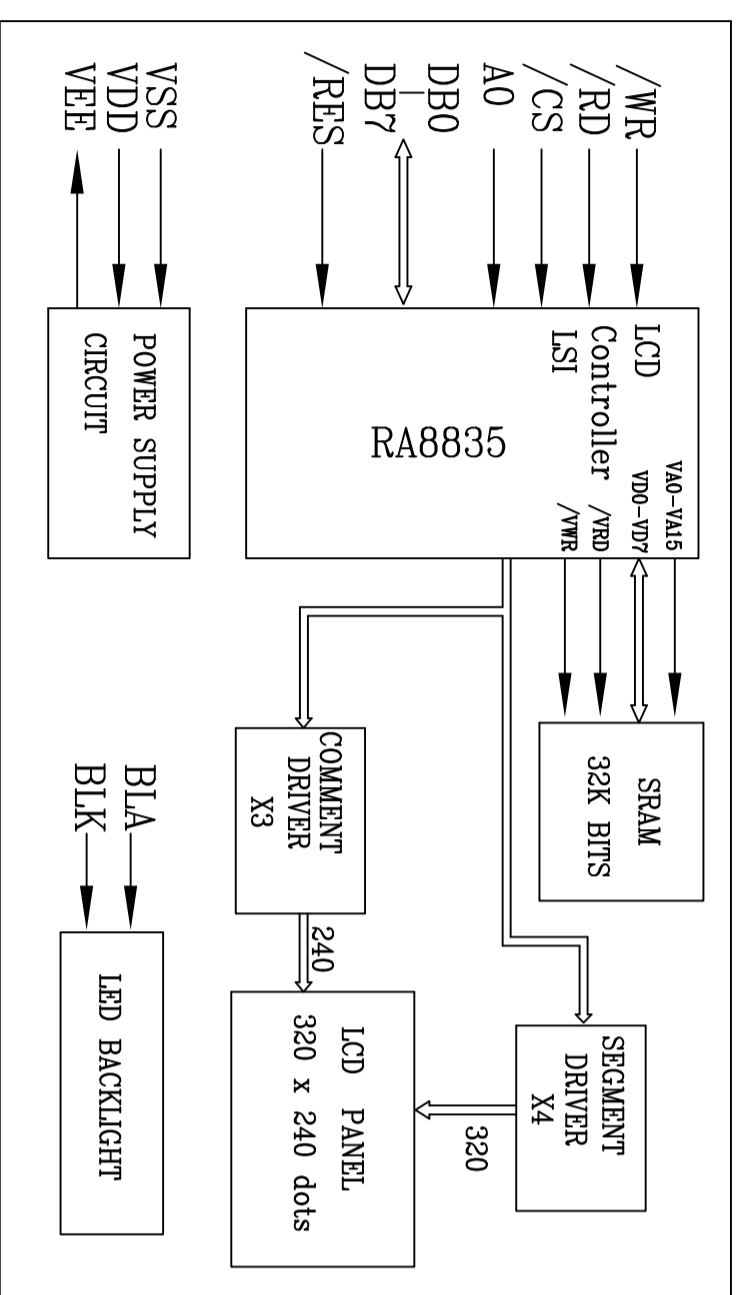
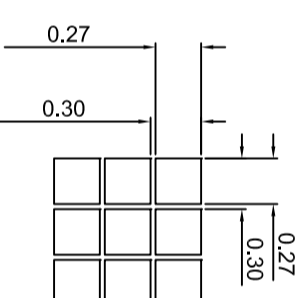
No.	Name	No.	Name	No.	Name	No.	Name
1	VSS	1	VSS	1	VSS	1	VSS
2	VDD	2	VDD	2	VDD	2	VDD
3	V0	3	V0	3	V0	3	NC
4	/WR	4	/WR	4	/WR	4	A0
5	/RD	5	/RD	5	/RD	5	/WR
6	/CS	6	/CS	6	/CS	6	/RD
7	A0	7	A0	7	A0	7	DB0
8	/RST	8	/RST	8	/RST	8	DB1
9	DB0	9	DB0	9	DB0	9	DB2
10	DB1	10	DB1	10	DB1	10	DB3
11	DB2	11	DB2	11	DB2	11	DB4
12	DB3	12	DB3	12	DB3	12	DB5
13	DB4	13	DB4	13	DB4	13	DB6
14	DB5	14	DB5	14	DB5	14	DB7
15	DB6	15	DB6	15	DB6	15	/CS
16	DB7	16	DB7	16	DB7	16	/RST
17	NC	17	LEDA	17	LEDA	17	DB5
18	VEE	18	EDK	18	EDK	18	DB6
19	A	19	EDK	19	CLK	19	DB7
20	VSS	20	VSS	20	/CS	20	/CS
				21	TDI	21	/RST
				22	TD0	22	TD0
				23	TINT	23	SEL1
							19NC
							20NC
							21LEDA
							22LEDA
							23LEDA

Item	Symbol	Min	Type	Max	Unit
Operating Voltage	VDD	4.8	5.0	5.2	V
Operating Current	IDD	-	-	-	mA
LED Voltage	VLED	2.9	3.1	3.3	V
LED Current	ILED	-	140	170	mA

ABSOLUTE MAXIMUM RATING

- 1.DISPLAY TYPE: STN/NEGATIVE BLUE; (FSTN/POSITIVE);
- 2.Viewing Direction: 6 O'CLOCK;
- 3.Polarizer Mode: TRANSMISSIVE
- 4.Color of Backlight: WHITE
- 5.Operating Temp: -20° ~ 70° C.
- 6.Storage Temp: -30° ~ 80° C.
- 7.Driving condition: 1/240Duty,1/16Bias, VOP=21V, VDD=5.0V

Detail "A"
Scale: 21:1



REVISION RECORD	DATE	SHENZHEN ET TECHNOLOGY CO.,LTD.	
1	2011.4.20	Model No.:	ET-G320240BV4
2		TITLE:	LCM OUTLINE DIMENSION
3		Part No.:	SPEC-ET-G320240BV4
4		DRAWN	OU
5		CHECKED	DATE
6		APPROVED	DATE

GEN.TOL.: ±0.2	PRO.(3):	SCALE:
	VER.: A	1:1
	DATE	UNIT: mm
	DATE	