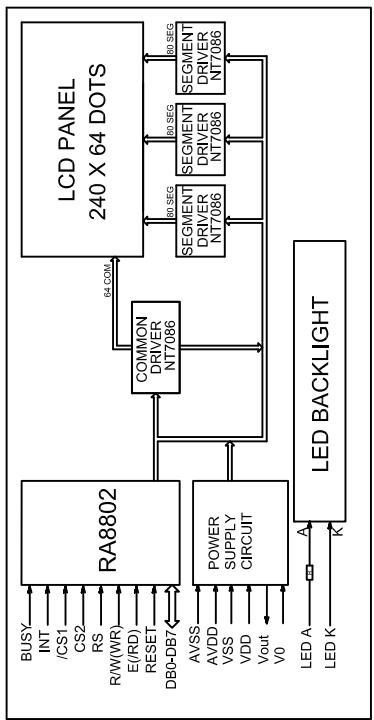
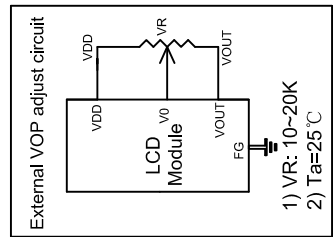


Pin.No	Symbol	Level	Description
1	VSS	0V	Connection Vss
2	VDD	5V	Connection Vdd
3	VSS	0V	Ground
4	VDD	5V	Power supply
5	BUSY	H/L	H:can't access data L:can access data
6	INT	H/L	Interrupt signal
7	/CS1	L	Active when Cs is low and CS2 is high
8	CS2	H	
9	RS	H/L	H:Data L:Instruction Code
10	RW(WR)	H/L	H:Read L:Write(L:Write)
11	E/(RD)	H	Enable Signal(L:Read)
12	RESET	L	Reset signal
13	DB0	--	
14	DB1	--	
15	DB2	--	
16	DB3	--	
17	DB4	--	
18	DB5	--	
19	DB6	--	
20	DB7	--	
21	VO	--	Operating voltage for LCD drive
22	VEE	--	Negative Voltage Output

ABSOLUTE MAXIMUM RATING			
Item	Symbol	Min	Type Max Unit
Supply voltage logic	VDD	4.8	5.0 5.2 V
LCD Operating Voltage	VDD-V0	-	10.85 13.00 V
LED Voltage	VLED	4.8	5.0 5.2 V
LED Current (side LED)	I LED	-	90 100 mA

**Description**  
 1.DISPLAY TYPE: STN (Negative Blue); (STN / Positive, Yellow-Green).  
 2.Viewing Direction: 6 O'CLOCK; ( 12 O'CLOCK ).  
 3.Polarizer Mode: Transmissive; ( Transflective; Reflective ).  
 4.Color of Backlight: White; ( Yellow/Green ).  
 5. Operating voltage option: 5V .  
 6.Operating Temp: -20° ~ 70°C.  
 7.Storage Temp: -30° ~ 80°C.



REVISION RECORD		SHENZHEN ET TECHNOLOGY CO.,LTD.	
DATE		Http://www.eastet.com	E-mail: east@eastet.com
1		TITLE: LCM OUTLINE DIMENSION	
2		Model No.: ET-G24064EV1	GEN.TOL.: ±0.2
3		Part No.: SPEC-ET-G24064EV1	PROJ.03:
4		DRAWN OU	DATE 2011.01.25
5		CHECKED	DATE
6		APPROVED	DATE
		VER.: A	SHEET: 1/1
			UNIT: mm
			SCALE: 1:1