

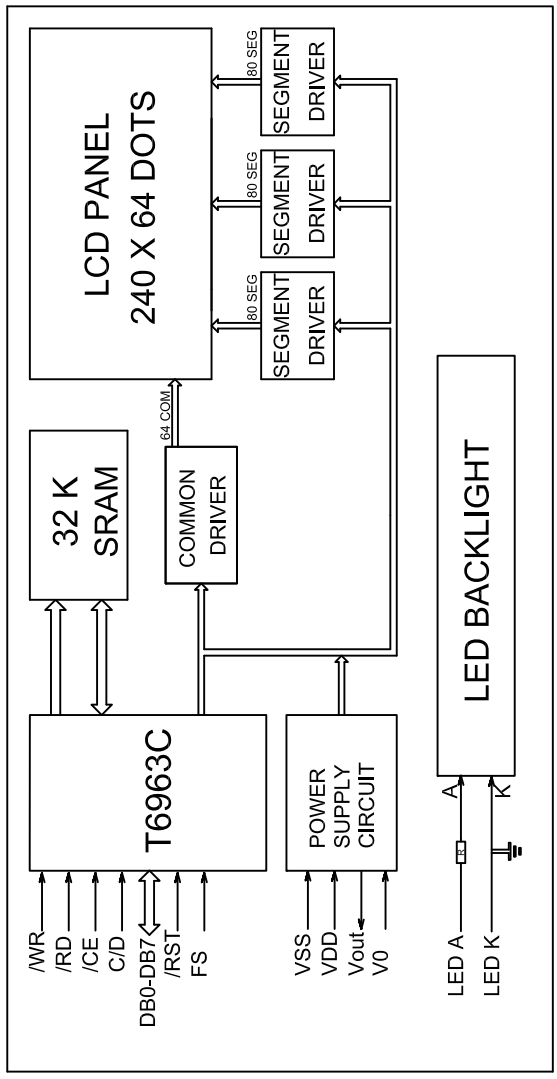
1) VR: 10K ~ 20K
2) VDD=6V, T_a =25°C

Pin.No	Symbol	Description
1	FG	Frame Ground.
2	VSS	GND.
3	VDD	Power supply for logic and LCD.
4	V0	Operating voltage for LCD.
5	/WR	Command and data write signal .
6	/RD	Data and status read signal.
7	/CE	Chip enable signal.
8	C/D	Command / Data selection.
9	NC	—
10	/RST	Reset signal (Low effective).
11-18	DB0-DB7	Data bus.
19	FS	Selection of font: H: 6 X 8 L: 8 X 8.
20	Vout	Negative voltage output to LCD
21	LED A	Backlight anode (+5V).
22	LED K	Backlight cathode (+0V).

ABSOLUTE MAXIMUM RATING					
Item	Symbol	Min	Type	Max	Unit
Supply voltage logic.	VDD	4.8	5.0	5.2	V
LCD Operating Voltage	VDD-V0	-	10.85	13.00	V
LED Voltage	VLED	4.8	5.0	5.2	V
LED Current (Side LED)	ILED	-	90	100	mA

Description

- DISPLAY TYPE: STN / Negative Blue; (STN / Positive , Yellow-Green).
- Viewing Direction: 6 O'CLOCK; (12 O'CLOCK).
- Polarizer Mode: Transmissive; (Transflective; Reflective).
- Color of Backlight: White; (Yellow/Green).
- Operating voltage option: 5V .
- Operating Temp: -20° ~ 70°C.
- Storage Temp: -30° ~ 80°C.



REVISION RECORD		DATE	SHENZHEN ET TECHNOLOGY CO.,LTD.	
				E-mail: east@eastet.com
1			TITLE: LCM OUTLINE DIMENSION	
2			Model No.: ET-G24064DV1	
3			Part No.: SPEC-ET-G24064DV1	
4			DRAWN	OU
5			CHECKED	
6			APPROVED	
			DATE	2010.12.21
			SHEET:	1/1
			UNIT:	mm
			SCALE:	1:1