

D

D

C

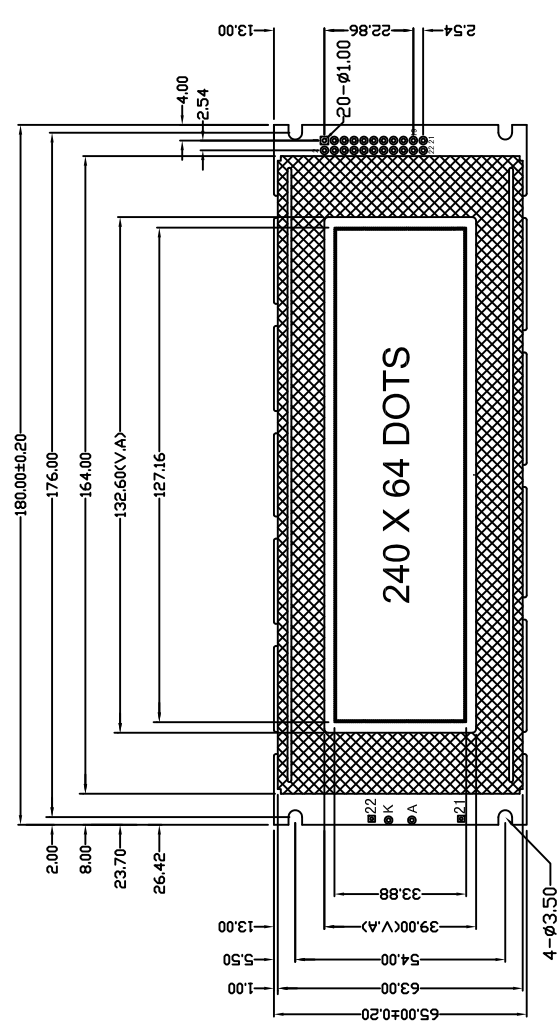
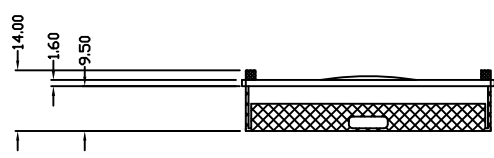
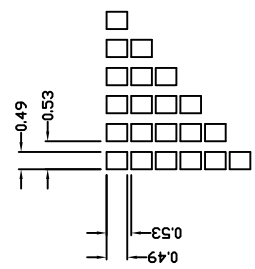
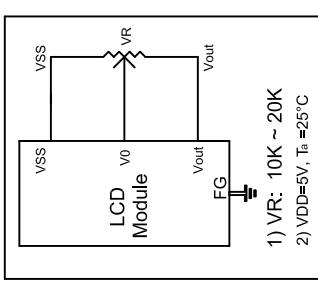
C

B

B

A

A



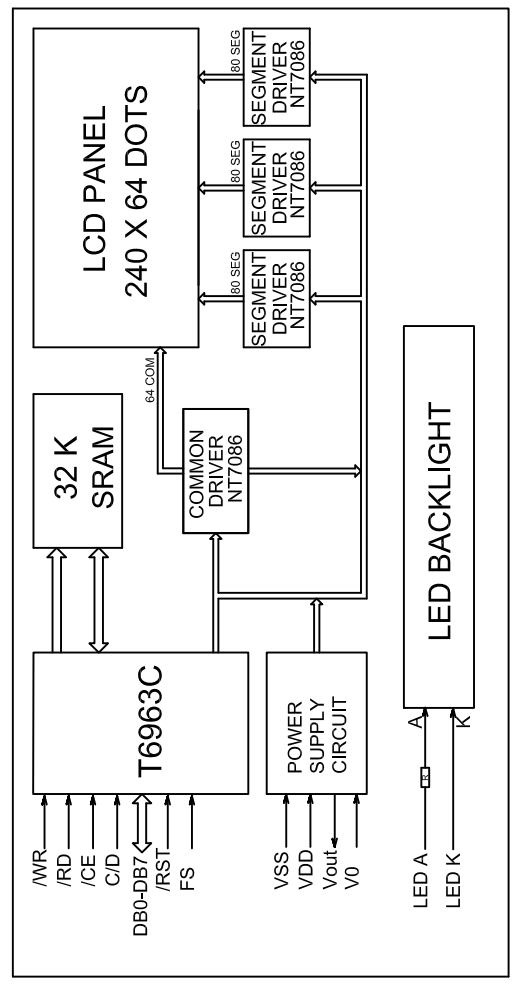
Pin.No	Symbol	Description
1	FG	Frame Ground.
2	VSS	GND.
3	VDD	Power supply for logic and LCD.
4	V0	Operating voltage for LCD.
5	/WR	Command and data write signal.
6	/RD	Data and status read signal.
7	/CE	Chip enable signal.
8	C/D	Command / Data selection.
9	NC	NC
10	/RST	Reset signal ( Low effective ).
11-18	DB0-DB7	Data bus.
19	FS	Selection of font H: 6 X 8 L: 8 X 8.
20	Vout	Negative voltage output to LCD.
21	LED A	Backlight anode ( +5V ).
22	LED K	Backlight cathode ( +0V ).

ABSOLUTE MAXIMUM RATING

Item	Symbol	Min	Type	Max	Unit
Supply voltage logic	VDD	4.8	5.0	5.2	V
LCD Operating Voltage	VDD-V0	-	10.85	13.00	V
LED Voltage	VLED	4.8	5.0	5.2	V
LED Current (Side LED)	I LED	-	90	100	mA

Description

- 1.DISPLAY TYPE: STN /Negative Blue; ( STN / Positive , Yellow-Green ).
- 2.Viewing Direction: 6 O'CLOCK; ( 12 O'CLOCK ).
- 3.Polarizer Mode: Transmissive; ( Transflective; Reflective ).
- 4.Color of Backlight: White; ( Yellow/Green ).
- 5.Operating voltage option: 5V .
- 6.Operating Temp: -20° ~ 70°C.
- 7.Storage Temp: -30° ~ 80°C.



REVISION RECORD	DATE	SHENZHEN ET TECHNOLOGY CO.,LTD.
A	First issue	HTTP:// www.eeastet.com E-mail: east@eastet.com
B		TITLE: LCM OUTLINE DIMENSION GEN.TOL.: ±0.2
C		Model No.: ET-G24064BV1 PRO.(3):
D		Part No.: SPEC-ET-G24064BV1 VER.: A
E		DRAWN OY DATE 2011.06.15 SHEET: 1/1
F		CHECKED DATE UNIT: mm
		APPROVED DATE SCALE: 1:1