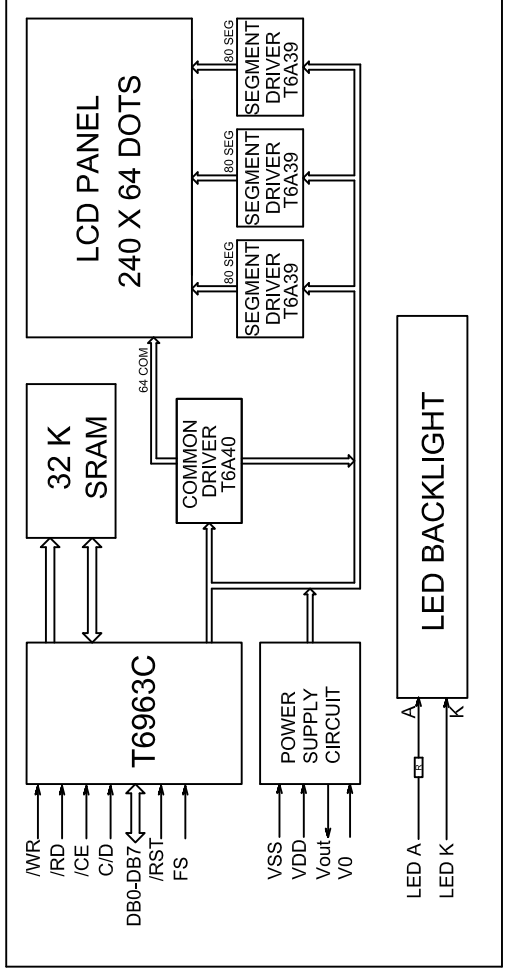


Pin.No	Symbol	Description
1	FG	Frame Ground.
2	VSS	GND.
3	VDD	Power supply for logic and LCD.
4	V0	Operating voltage for LCD.
5	/WR	Command and data write signal.
6	/RD	Data and status read signal.
7	/OE	Chip enable signal.
8	C/D	Command / Data selection.
9	NC	—
10	/RST	Reset signal ( Low effective ).
11-18	DB0-DB7	Data bus.
19	FS	Selection of font: H: 6 X 8 L: 8 X 8.
20	Vout	Negative voltage output to LCD
21	LED A	Backlight anode (+5V).
22	LED K	Backlight cathode (+0V).

ABSOLUTE MAXIMUM RATING					
Item	Symbol	Min	Max	Unit	
Supply voltage logic	VDD	4.8	5.0	5.2	V
LCD Operating Voltage	VDD-V0	-	10.85	13.00	V
LED Voltage	VLED	4.8	5.0	5.2	V
LED Current (Side LED)	I LED	-	90	100	mA

**Description**

- DISPLAY TYPE: STN / Negative Blue: ( STN / Positive , Yellow-Green ).
- Viewing Direction: 6 O'CLOCK: ( 12 O'CLOCK ).
- Polarizer Mode: Translitive: ( Translitive ; Reflective ).
- Color of Backlight: White: ( Yellow/Green ).
- Operating voltage option: 5V .
- Operating Temp: -20° ~ 70°C.
- Storage Temp: -30° ~ 80°C.



REVISION RECORD		DATE	SHENZHEN ET TECHNOLOGY CO.,LTD.	
A	First issue		HTTP:// www.easetet.com	E-mail: east@easetet.com
B			TITLE: LCM OUTLINE DIMENSION	GEN.TOL.: ±0.2
C			Model No.: ET-G24064AV1	PRO.(3):
D			Part No.: SPEC-ET-G24064AV1	VER.: A
E			DRAWN OY	DATE 2011.06.14
F			CHECKED	DATE
			APPROVED	DATE
				SHEET: 1/1
				UNIT: mm
				SCALE: 1:1