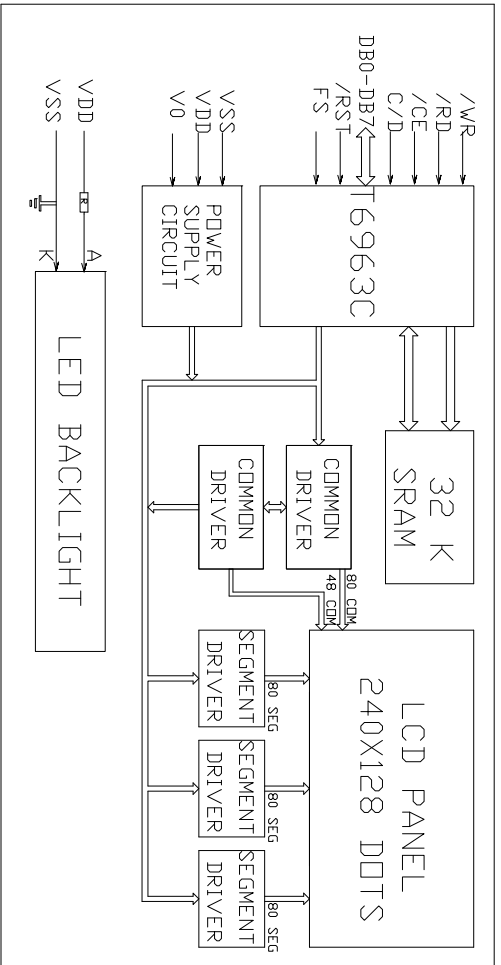


Pin 1	Symbol	Description
1	VSS	GND.
2	VDD	Power supply for logic and LCD.
3	V0	Operating voltage for LCD.
4	/WR	Command and data write signal.
5	/RD	Data and status read signal.
6	/CE	Chip enable signal.
7	C/D	Command / Data selection.
8	/RST	Reset signal.
9-16	DB0-DB7	Data bus(Low effective).
17	FS	Selection of font H: 6 X 8 L: 8 X 8.
18	VOUT	Negative voltage output.
19	A	Backlight anode(+5V).
20	K	Backlight cathode.

PIN 2	Symbol	Description
1	FG	Frame Ground.
2	VSS	GND.
3	VDD	Power supply for logic and LCD.
4	V0	Operating voltage for LCD.
5	/WR	Command and data write signal.
6	/RD	Data and status read signal.
7	/CE	Chip enable signal.
8	C/D	Command / Data selection.
9	/RST	Reset signal (Low effective).
10-17	DB0-DB7	Data bus.
18	FS	Selection of font H: 6X8 L: 8X8.

ABSOLUTE MAXIMUM RATING			
Item	Symbol	Type	Max Unit
Supply voltage logic	VDD	4.8	5.2 V
LCD Operating Voltage	VDD-V0	-	14.5 19.0 V
LED Voltage	VLED	4.8	5.0 5.2 V
LED Current	ILED	-	150 160 mA

- Description**
- 1) DISPLAY TYPE: STN/Negative Blue; STN/Positive, Yellow-Green;
 - 2) Viewing Direction: 6 DCLDCK JK 12 DCLDCK >.
 - 3) Polarizer Model: Transmissive / (Transflective / Reflective).
 - 4) Color of Backlight: White / (Yellow/Green).
 - 5) Operating voltage option: 5V .
 - 6) Operating Temp: -20° ~ 70°C.
 - 7) Storage Temp: -30° ~ 80°C.



REVISION RECORD		DATE	SHENZHEN ET TECHNOLOGY CO.,LTD.
1			HTTP://www.et.com.cn Email: eae@esetel.com
2			TITLE: LCM OUTLINE DIMENSION GEN.TOL.: ±0.2
3			Model No.: ET-G240128AV7 PRO.03:
4			Part No.: SPEC-ET-G240128AV7 VER.: A
5			DRAWN OY DATE [2011.06.08] SHEET: 1/1
6			CHECKED DATE UNIT: mm
			APPROVED DATE SCALE: 1:1