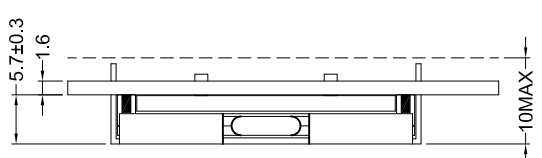


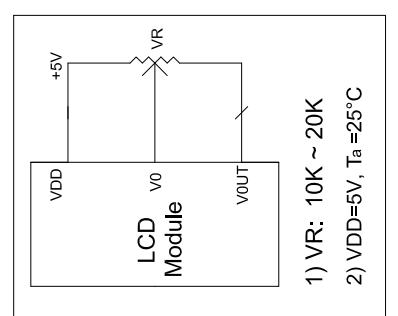
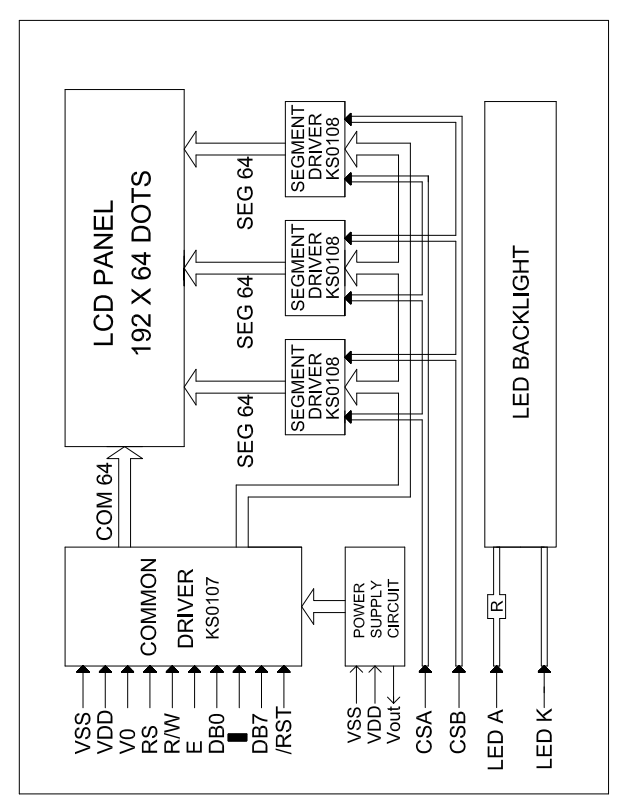
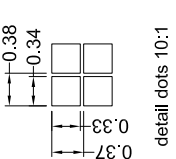
192 X 64 DOTS



Pin.No	Symbol	Description
1	CSA	CSA=0 CSB=0 Left Screen
2	CSB	CSA=1 CSB=0 Middle Screen
3	VSS	CSA=0 CSB=1 Right Screen
4	VDD	GND.
5	V0	Power supply for logic and LCD.
6	RS	Operating voltage for LCD.
7	R/W	Data / instruction select.
8	E	Read / write select.
9-16	DB0-DB7	Enable signal.
17	VOUT	Data bus.
18	/RST	Negative voltage output
19	LEDA	Reset signal (Low effective)
20	LEDK	Backlight anode.
		Backlight cathode.

ABSOLUTE MAXIMUM RATING				
Item	Symbol	Min	Type	Max
Supply voltage logic	VDD	4.8	5.0	5.2
LCD Operating Voltage	VDD-V0	-	9	-
LED Voltage	VLED	4.8	5.0	5.2
LED Current	I LED	-	45	-

- Description**
- 1.DISPLAY TYPE:STN / Positive , Yellow-Green ; (STN /Negative Blue).
 - 2.Viewing Direction: 6 O'CLOCK ; (12 O'CLOCK) .
 - 3.Polarizer Mode: Transflective ; (Transmissive ; Reflective) .
 - 4.Color of Backlight: Yellow/Green ; (White) .
 5. Operating voltage option : 5V .
 - 6.Operating Temp: -20° ~ 70°C.
 - 7.Storage Temp: -30° ~ 80°C.



REVISION RECORD		DATE	SHENZHEN ET TECHNOLOGY CO.,LTD.	
A	First issue		HTTP:// www.eeastet.com	E-mail: east@eastet.com
B			TITLE: LCM OUTLINE DIMENSION	
C			Model No.: ET-G19264IV1	GEN.TOL.: ±0.2
D			Part No.: SPEC-ET-G19264IV1	PRO.(3):
E			DRAWN OY	DATE
F			CHECKED	DATE
			APPROVED	DATE
				VER.: A
				SHEET: 1/1
				UNIT: mm
				SCALE: 1:1