

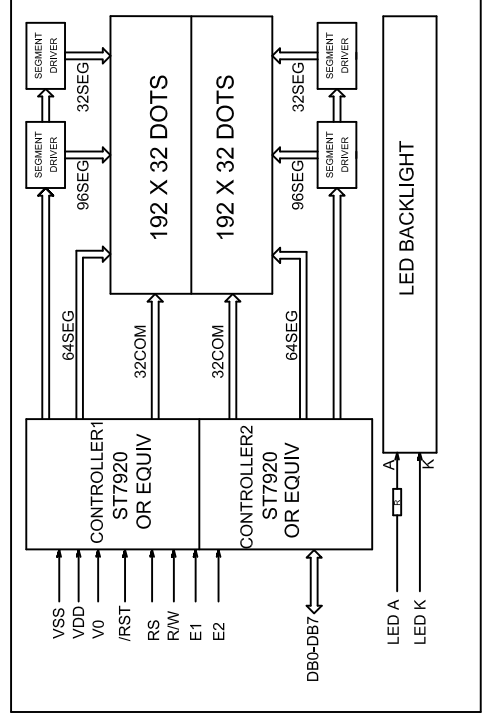
J1 Pin 2 Plus	Symbol	Level	Function
1	VSS	—	GND
2	VDD	—	Supply Voltage for logic(+5)
3	V0	—	Input Voltage for LCD (0~5V)
4	RS(CS)	H/L	H:Data; L:Instruction Code/Chip Select
5	RW(SID)	H/L	H:Read; L:Write(parallel)/Data(Serial)
6	E1(SCLK1)	H/L	Upper Screen:Enable Signal(Parallel)/Serial Clock
7	E2(SCLK2)	H/L	Under Screen:Enable Signal(Parallel)/Serial Clock
8-15	DB0-DB7	H/L	Data BUS
16	/RST	L	Reset Signal (Active Low)
17	A	—	Backlight anode (+4.0V)
18	K	—	Backlight cathode (0V)

ABSOLUTE MAXIMUM RATING

Item	Symbol	Min	Type	Max	Unit
Operating Voltage	VDD	4.8	5.0	5.2	V
Operating Current	IDD	2.0	2.5	3.5	mA
LED Voltage	VLED	3.8	4.0	4.2	V
LED Current	I LED	45	55	70	mA

Description

- 1.DISPLAY TYPE: Yellow-Green; (STN)Positive,STN(Negative Blue).
- 2.Viewing Direction: 6°CLOCK; (12 O'CLOCK).
- 3.Polarizer Mode: Transflective ; (Transmissive ; Reflective ).
- 4.Color of Backlight: Yellow/Green; ( White ).
- 5.Operating Temp: -20° ~ 70°C
- 6.Storage Temp: -30° ~ 80°C



REVISION RECORD		DATE	SHENZHEN ET TECHNOLOGY CO.,LTD.	
A	First issue			HTTP:// www.eeastet.com E-mail: east@eastet.com
B			TITLE: LCM OUTLINE DIMENSION	
C			Model No.: ET-G19264FV1	GEN.TOL.: ±0.2
D			Part No.: SPEC-ET-G19264FV1	PRO.(3):
E			DRAWN OY	DATE 2011.06.21
F			CHECKED	DATE
			APPROVED	DATE
			VER.: A	1/1
			SHEET:	mm
			UNIT:	SCALE: 1:1