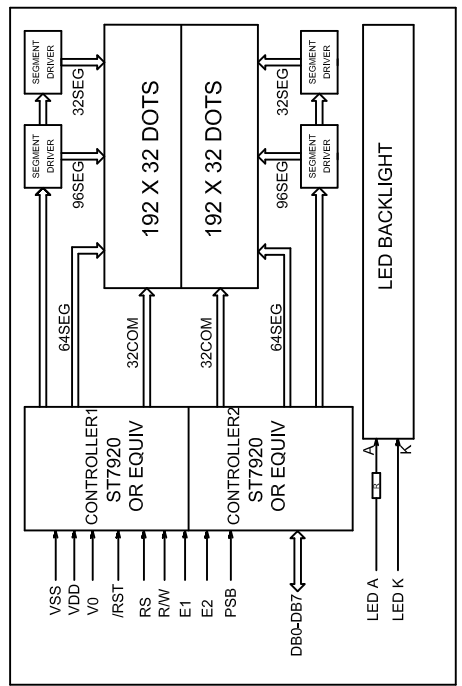


Pin.No	Symbol	Level	Function
1	VSS	—	GND
2	VDD	—	Supply Voltage for logic(+5)
3	NC	—	—
4	/RST	L	Reset Signal (Active Low)
5	RS/CS	H/L	H:Data; L:Instruction Code/Chip Select
6	RW/SD	H/L	H:Read; L:Write(parallel)/ Data(Serial)
7	E1/SCLK1	H/L	Upper Screen:Enable Signal(Parallel)/Serial Clock
8	E2/SCLK2	H/L	Under Screen:Enable Signal(Parallel)/Serial Clock
9	PSB	H/L	H:Parallel Mode; L:Serial Mode
10-17	DB0-DB7	H/L	Data BUS
18	A	—	Backlight anode (+5V).
19	K	—	Backlight cathode (+0V).
20	NC	—	—

ABSOLUTE MAXIMUM RATING					
Item	Symbol	Min	Type	Max	Unit
Supply voltage logic	VDD	4.7	5.0	5.2	V
LCD Operating Voltage	VDD-V0	-	11.2	13.50	V
LED Voltage	VLED	4.8	5.0	5.2	V
LED Current (side LED)	ILED	120	140	-	mA

**Description**

- DISPLAY TYPE: STN / Positive. Yellow+Green. ( STN / Negative. Blue. ; FSTN ).
- Viewing Direction: 6°CLOCK. ( 12°CLOCK. ).
- Polarizer Mode: Transmissive ; ( Transmissive ; Reflective ).
- Color of Backlight: Yellow/Green. ( White ).
- Operating voltage option : 5V ;
- Operating Temp: -20° ~ 70°C
- Storage Temp: -30° ~ 80°C



REVISION RECORD		DATE	SHENZHEN ET TECHNOLOGY CO.,LTD.	
1			HTTP://www.et.com	E-mail: east@eastel.com
2			TITLE: LCM OUTLINE DIMENSION	GEN.TOL.:±0.2
3			Model No.: ET-G19264DV2	PRO.03:
4			Part No.: SPEC-ET-G19264DV2	VER: A
5			DRAWN OY	DATE 2011.06.20
6			CHECKED	SHEET: 1/1
			APPROVED	UNIT: mm
				SCALE: 1:1