

1) VR: 20K
2) VDD=5V, T_F25° C

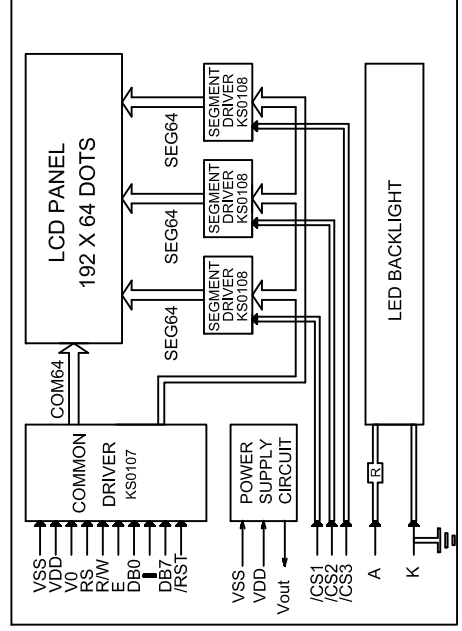
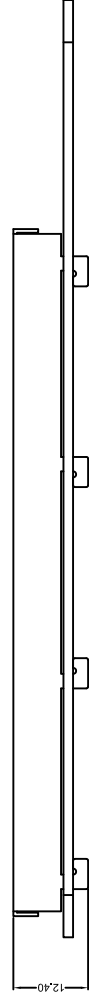
Pin.No	Symbol	Description
1	VSS	GND
2	VDD	Power supply for logic and LCD
3	V0/INC	Operating voltage for LCD/No Connection
4	RS	Data / instruction select
5	R/W	Read / write select
6	E	Enable signal
7-14	DB0-DB7	Data bus
15	/CS1	Chip select of U2(Low effective)
16	/RST	Reset signal (Low effective)
17	/CS2	Chip select of U3(Low effective)
18	/CS3	Chip select of U4(Low effective)
19	Vout	Negative voltage output
20	A	Backlight anode(+5V)

ABSOLUTE MAXIMUM RATING

Item	Symbol	Min	Type	Max	Unit
Supply voltage logic	VDD	4.7	5.0	5.2	V
LCD Operating Voltage	VDD-V0	11.8	12.5	13.85	V
LED Voltage	VLED	4.8	5.0	5.2	V
LED Current	ILED	150	500	550	mA

Description

- 1.DISPLAY TYPE: STN(Positive Yellow-Green;STN(Negative Blue;Fstn).
- 2.Viewing Direction: 6 O'CLOCK ; (12 O'CLOCK).
- 3.Polarizer Mode: Transflective ; (Transitive ; Reflective).
- 4.Color of Backlight: Yellow/Green; (White).
- 5.Operating voltage option: 5V ;
- 6.Operating Temp: -20° ~ 70° C
- 7.Storage Temp: -30° ~ 80° C



REVISION RECORD	DATE	SHENZHEN ET TECHNOLOGY CO.,LTD.
A	First issue	HTTP:// www.easetet.com E-mail: east@easetet.com
B		TITLE: LCM OUTLINE DIMENSION
C		Model No.: ET-G19264BV8 GEN.TOL.: ±0.2
D		Part No.: SPEC-ET-G19264BV8 PRO.(3):
E		DRAWN OY DATE 2011.06.18 VER.: A
F		CHECKED DATE SHEET: 1/1
		APPROVED DATE UNIT: mm
		SCALE: 1:1