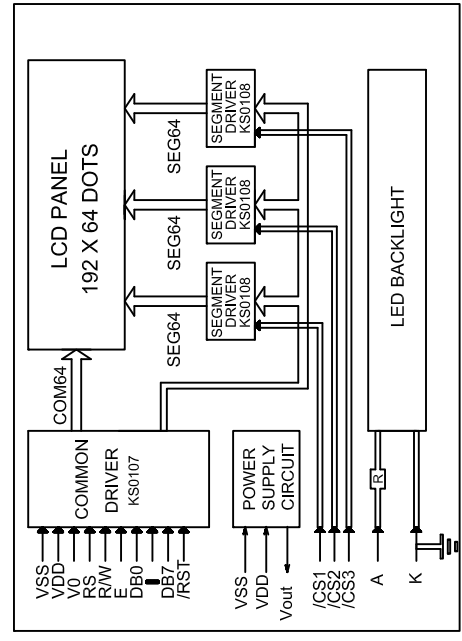


Pin.No	Symbol	Description
1	VSS	GND
2	VDD	Power supply for logic and LCD
3	V0/INC	Operating voltage for LCD/No Connection
4	RS	Data / Instruction select
5	R/W	Read / write select
6	E	Enable signal
7-14	DB0-DB7	Data bus
15	/CS1	Chip select of U2(Low effective)
16	/RST	Reset signal (Low effective)
17	/CS2	Chip select of U3(Low effective)
18	/CS3	Chip select of U4(Low effective)
19	Vout	Negative voltage output
20	A	Backlight anode(+5V)

ABSOLUTE MAXIMUM RATING				
Item	Symbol	Min	Type Max Unit	
Supply voltage logic	VDD	4.7	5.0	5.2 V
LCD Operating Voltage	VDD-V0	11.8	12.5	13.85 V
LED Voltage	VLED	4.8	5.0	5.2 V
LED Current	I LED	140	150	160 mA

Description

- DISPLAY TYPE: STN/Positive Yellow-Green/(STN/Negative Blue/Fstr).
- Viewing Direction: 6 O'CLOCK : (12 O'CLOCK).
- Polarizer Mode: Transflective ; (Transmissive ; Reflective).
- Color of Backlight: Yellow/Green; (White).
- Operating voltage option: 5V ; (3.3V)
- Operating Temp: -20° ~ 70° C
- Storage Temp: -30° ~ 80° C



REVISION RECORD		DATE	SHENZHEN ET TECHNOLOGY CO.,LTD.	
A	First issue		HTTP:// www.easet.com	E-mail: east@easet.com
B			TITLE: LCM OUTLINE DIMENSION	GEN.TOL.: ±0.2
C			Model No.: ET-G19264BV7	PRO.(3):
D			Part No.: SPEC-ET-G19264BV7	VER.: A
E			DRAWN OY	DATE 2011.06.18
F			CHECKED	DATE
			APPROVED	DATE