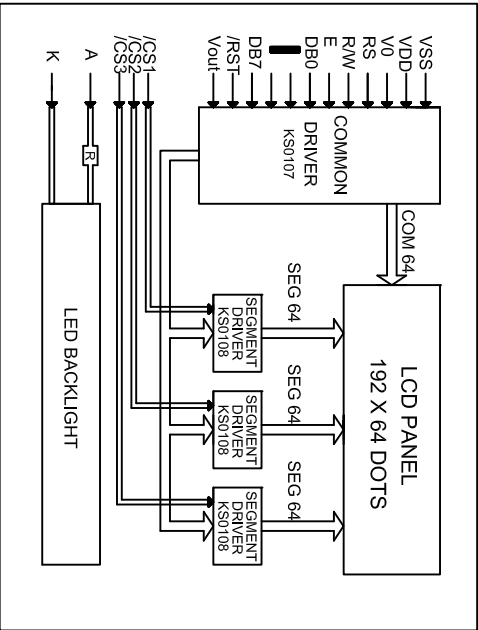


Pin.No	Symbol	Description
1	VSS	GND
2	VDD	Power supply for logic and LCD
3	V0	Operating voltage for LCD
4	Vout	Negative voltage output
5	NC	NC
6	/RST	Reset signal (Low effective)
7	RS	Data / Instruction select
8	R/W	Read / write select
9	E	Enable signal
10	NC	NC
11	A	Backlight anode (+5V)
12	K	Backlight cathode (+0V)
13	/CS1	Chip select of IC1 (Low effective)
14	/CS2	Chip select of IC2 (Low effective)
15	/CS3	Chip select of IC3 (Low effective)
16-23	DB0-DB7	Data bus
24	NC	NC

ABSOLUTE MAXIMUM RATING			
Item	Symbol	Min	Max
Supply voltage logic	VDD	4.7	5.2
LCD Operating Voltage	VDD-V0	11.8	12.5
LED Voltage	VLED	4.8	5.0
LED Current (side LED)	ILED	140	150
			160

- Description**
- DISPLAY TYPE: STN / Positive Yellow-Green (STN / Negative Blue : Fan)
 - Viewing Direction: 6 O'CLOCK : (12 O'CLOCK)
 - Polarizer Mode: Transflective : (Transitive : Reflective)
 - Color of Backlight: White .
 - Operating voltage option : 5V : (3.3V)
 - Operating Temp: -20° ~ 70° C
 - Storage Temp: -30° ~ 80° C



REVISION RECORD		SHENZHEN ET TECHNOLOGY CO.,LTD.	
A	DATE	HTTIP:// www.eastel.com	E-mail: east@eastel.com
A	First Issue	TITLE: LCM OUTLINE DIMENSION	GEN.TOL.: ±0.2
B		Model No.: ET-G19264BV5	PRO.(3):
C		Part No.: SPEC-ET-G19264BV5	VER.: A
D	DRAWN	OY	DATE 2011.06.18
E	CHECKED		DATE
F	APPROVED		DATE
			SHEET: 1/1
			UNIT: mm
			SCALE: 1:1