

1) VR: 10~20K
2) Ta=25°C

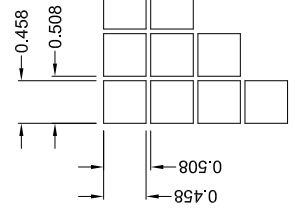
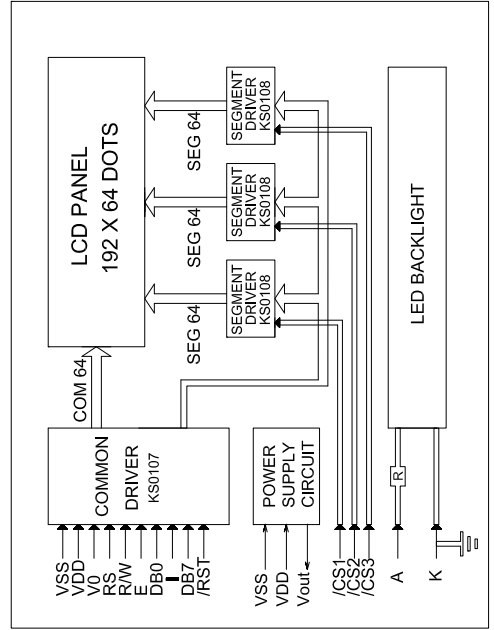
Pin.No	Symbol	Description
1	VSS	GND
2	VDD	Power supply for logic and LCD
3	V0	Operating voltage for LCD
4	RS	Data / instruction select
5	R/W	Read / write select
6	E	Enable signal
7-14	DB0-DB7	Data bus
15	/CS1	Chip select of U1 (Low effective)
16	/RST	Reset signal (Low effective)
17	/CS2	Chip select of U2 (Low effective)
18	/CS3	Chip select of U3 (Low effective)
19	Vout	Negative voltage output
20	A	Backlight anode

ABSOLUTE MAXIMUM RATING

Item	Symbol	Min	Type	Max	Unit
Supply voltage logic	VDD	3.3			V
LCD Operating Voltage	VDD-V0	11.8		13.85	V
LED Voltage	VLED			3.3	V
LED Current	I LED			120	mA

Description

- 1.DISPLAY TYPE: STN / Positive Yellow-Green;
- 2.Viewing Direction: 12 O'CLOCK ;
- 3.Polarizer Mode: Transflective
- 4.Color of Backlight: Yellow/Green;
5. Operating voltage option : 3.3V
- 6.Operating Temp: -20° ~ 70°C
- 7.Storage Temp: -30° ~ 80°C



REVISION RECORD	DATE	SHENZHEN ET TECHNOLOGY CO.,LTD.
A First issue		HTTP:// www.easet.com E-mail: east@easet.com
B 改定位孔间距		TITLE: LCM OUTLINE DIMENSION
C 改结构		Model No.: ET-G19264BV12
D 改FFC长度		Part No.: SPEC-ET-G19264BV12-YBTWSY
E 加丝印线		DRAWN lile len DATE 2012.11.14
F 改PCB外形		CHECKED DATE DATE
G 改PCB孔位		APPROVED DATE DATE
H 改FFC长度	2012.11.8	
I Update the length of FFC	2012.11.14	
J Update the Tolerances of FFC	2012.11.14	
K 变更pcb插脚孔为开口孔	2013-5-22 YSN	