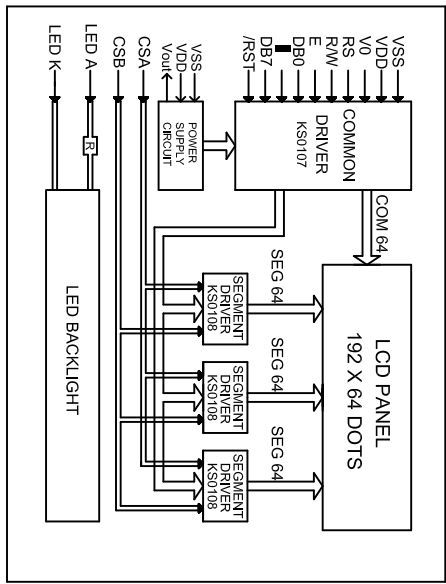


| Pin.No | Symbol | Description |
|--------|--------|---------------------------------------|
| 16 | LEDA | Backlight anode (+4.2V). |
| 15 | CSA | Chip selection for CS(A=0 Left Screen |
| 14 | CSB | CS(A=0 CSB=1 Middle Screen |
| 13 | CSB | CS(A=1 CSB=0 Right Screen |
| 12 | VSS | GND. |
| 11 | VDD | Power supply for logic and LCD. |
| 10 | RS | Data / Instruction select. |
| 9 | E | Read / write select. |
| 8 | DB0 | Enable signal. |
| 7 | DB1 | Data bus. |
| 6 | DB2 | Data bus. |
| 5 | DB3 | Data bus. |
| 4 | DB4 | Data bus. |
| 3 | DB5 | Data bus. |
| 2 | DB6 | Data bus. |
| 1 | DB7 | Data bus. |

| ABSOLUTE MAXIMUM RATING | | | | |
|-------------------------|--------|-----|---------------|---------|
| Item | Symbol | Min | Type Max Unit | |
| Supply voltage logic | VDD | 4.8 | 5.0 | 5.2 V |
| LCD Operating Voltage | VDD-V0 | - | 12.0 | 13.85 V |
| LED Voltage | VLED | 4.8 | 5.0 | 5.2 V |
| LED Current | ILED | - | 230 | 240 mA |

- Description**
- 1.DISPLAY TYPE:STN / Positive , Yellow-Green : (STN (Negative Blue).
 - 2.Viewing Direction(CLOCK): (12 O'CLOCK).
 - 3.Polarizer Mode: Transflective ; (Transflective ; Reflective).
 - 4.Color or Backlight: White ; (Yellow/Green).
 - 5.Operating voltage option : 5V .
 - 6.Operating Temp:-20° ~ 70°C.
 - 7.Storage Temp: -30° ~ 80°C.



| REVISION RECORD | DATE | DESCRIPTION |
|-----------------|------|-------------|
| A | | First Issue |
| B | | |
| C | | |
| D | | |
| E | | |
| F | | |

| | |
|--|---|
| SHENZHEN ET TECHNOLOGY CO.,LTD. E-mail: east@eastet.com | GEN.TOL.: ±0.2 PRO.(3): VER.: SHEET: 1/1 UNIT: mm SCALE: 1:1 |
|--|---|