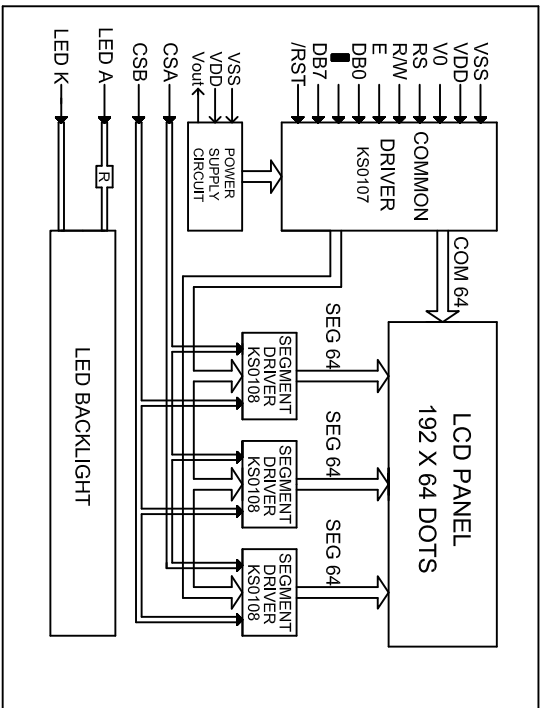


Pin.No	Symbol	Description
1	CSA	CSA=0 CSB=0 Left Screen
2	CSB	Chip selection for CSA=1 CSB=0 Middle Screen
3	VSS	GND.
4	VDD	Power supply for logic and LCD.
5	V0	Operating voltage for LCD.
6	RS	Data / instruction select.
7	RW	Read / write select.
8	E	Enable signal.
9-16	DB0-DB7	Data bus.
17	LEDA	Backlight anode (+4.2V).
18	LEDK	Backlight cathode (+0V).

ABSOLUTE MAXIMUM RATING				
Item	Symbol	Min	Type Max Unit	
Supply voltage logic	VDD	4.8	5.0 5.2	V
LCD Operating Voltage	VDD-V0	-	12.0 13.85	V
LED Voltage	VLED	4.8	5.0 5.2	V
LED Current	ILED	-	230 240	mA

- Description**
1. DISPLAY TYPE: STN / Positive, Yellow/Green ; (STN Negative Blue).
 2. Viewing Direction: 6 O'CLOCK ; (12 O'CLOCK).
 3. Polarizer Mode: Transmissive ; (Transitive ; Reflective).
 4. Color of Backlight: Yellow/Green ; (White).
 5. Operating voltage option: 5V .
 6. Operating Temp: 20° ~ 70° C.
 7. Storage Temp: -30° ~ 80° C.



REVISION RECORD		DATE	SHENZHEN ET TECHNOLOGY CO.,LTD.
A	First Issue		E-mail: east@eastet.com

TITLE: LCM OUTLINE DIMENSION		GEN.TOL.: ±0.2	
B	Model No.:	ET-G19264AV3	PRO.(3):
C	Part No.:	SPEC-ET-G19264AV3	VER.:
D	DRAWN	OY	DATE
E	CHECKED		DATE
F	APPROVED		DATE
			SCALE: 1:1