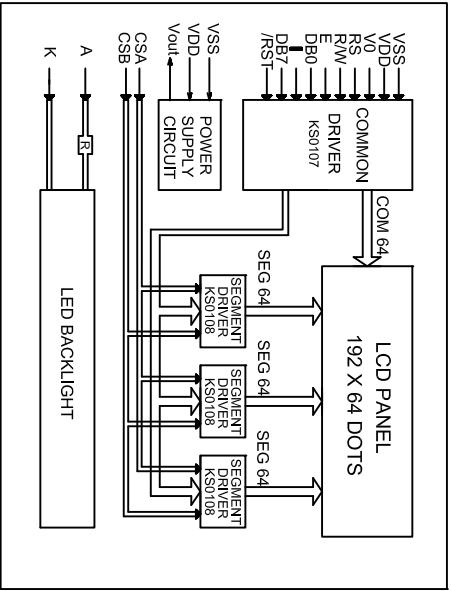


Pin No	Symbol	Description
1-8	DB7-DB0	Data bus
9	E	Enable signal
10	R/W	Read / write select
11	RS	Data / instruction select
12	V0	Operating voltage for LCD
13	VDD	Power supply for logic and LCD
14	GND	GND
15	CSA	Chip select signal A
16	CSB	Chip select signal B
17	Vout	Negative voltage output
18	/RST	Reset signal (Low effective)
19	A	Backlight anode (+5V)
20	K	Backlight cathode (+0V).

ABSOLUTE MAXIMUM RATING			
Item	Symbol	Min	Max
Supply voltage logic	VDD	4.7	5.2
LCD Operating Voltage	VDD-V0	-	11.2
LED Voltage	VLED	4.8	5.0
LED Current (Side LED)	ILED	120	140
			mA

- 1.DISPLAY TYPE: STN/ Positive Yellow-Green; (STN /Negative Blue; Fsm).
- 2.Viewing Direction: 6 O'CLOCK : (12 O'CLOCK).
- 3.Polarizer Mode: Transflective ; (Transflective).
- 4.Color of Backlight: Yellow/Green; (White).
5. Operating voltage option : 5V ;
- 6.Operating Temp: -20° ~ 70° C
- 7.Storage Temp: -30° ~ 80° C



REVISION RECORD

A	First Issue	DATE	SHENZHEN ET TECHNOLOGY CO.,LTD.
B	Model No.: ET-G19264AV1		E-mail: east@eastet.com
C	Part No.: SPEC-ET-G19264AV1		GEN.TOL.: ±0.2
D	DRAWN OY	DATE 2011.06.16	PRO.(3):
E	CHECKED	DATE	VER.: A
F	APPROVED	DATE	SHEET: 1/1
		SCALE: 1:1	UNIT: mm