

Pin.No	Symbol
1	TX
2	RX
3	GND

LCD INTERFACE

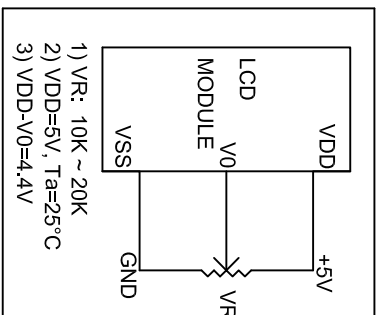
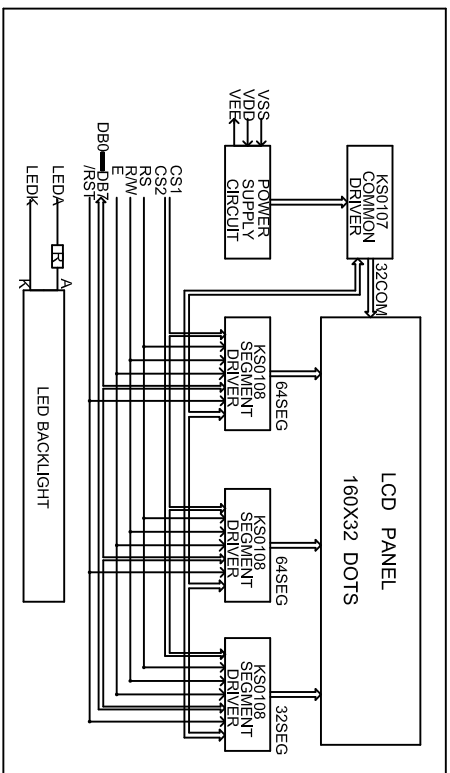
Pin.No	Symbol	Level	Function
1	VSS	—	GND(0V)
2	VDD	—	Power Supply (+5V)
3	V0	—	Operating Voltage for LCD
4	RS	H/L	H: data : L: Instruction code
5	R/W	H/L	H: read : L: write
6	E	H/L	Enable Signal
7	RST	H/L	Reset signal.
8-15	DB0-DB7	—	Data Bus
16	CS1	H/L	Chip selection.co-operation with CS2.
17	CS2	H/L	Chip selection.co-operation with CS1.
18	GND	—	GND(0V)
19	A	—	Backlight anode.
20	VEE	—	Negative voltage output.
21	A	—	Backlight anode.
22	GND	—	GND(0V)

ABSOLUTE MAXIMUM RATING

Item	Symbol	Min	Type	Max	Unit
Operating Voltage	VDD	4.8	5.0	5.2	V
Operating Current	IDD	-	1.8	2.2	mA
LED Voltage	VLED	2.8	3.1	3.3	V
LED Current	ILED	-	30	-	mA

Description

- 1.DISPLAY TYPE: STN/NEGATIVE BLUE/STN/POSITIVE YELLOW/ GREY
- 2.Viewing Direction: 6 O'CLOCK.
- 3.Polarizer Mode: Transmissive/Reflective/Reflective).
- 4.Color of Backlight: White (Yellow/Green) .
- 5.Operating Temp: 20° ~ 70°C.
- 6.Storage Temp: -30° ~ 80°C.
- 7.Character Table: English(Japanese; European; Cyrillic).
- 8.Operating Voltage Option: 5.0V



- 1) VR: 10K ~ 20K
- 2) VDD=5V, Ta=25°C
- 3) VDD-V0=4.4V

REVISION RECORD	DATE	SHENZHEN ET TECHNOLOGY CO.,LTD.
1 FIRST ISSUE	2013-10-25	Model No.: ET-G16032AV2
2 CHANGE TOLERANCE	YSN	Part No.: SPEC-ET-G16032AV2
3		Model No.: ET-G16032AV2
4		Part No.: SPEC-ET-G16032AV2
5		Model No.: ET-G16032AV2
6		Part No.: SPEC-ET-G16032AV2

SHENZHEN ET TECHNOLOGY CO.,LTD.
E-mail: east@eastel.com

REVISION RECORD	DATE	SHENZHEN ET TECHNOLOGY CO.,LTD.
1 FIRST ISSUE	2013-10-25	Model No.: ET-G16032AV2
2 CHANGE TOLERANCE	YSN	Part No.: SPEC-ET-G16032AV2
3		Model No.: ET-G16032AV2
4		Part No.: SPEC-ET-G16032AV2
5		Model No.: ET-G16032AV2
6		Part No.: SPEC-ET-G16032AV2

SHENZHEN ET TECHNOLOGY CO.,LTD.
E-mail: east@eastel.com

REVISION RECORD	DATE	SHENZHEN ET TECHNOLOGY CO.,LTD.
1 FIRST ISSUE	2013-10-25	Model No.: ET-G16032AV2
2 CHANGE TOLERANCE	YSN	Part No.: SPEC-ET-G16032AV2
3		Model No.: ET-G16032AV2
4		Part No.: SPEC-ET-G16032AV2
5		Model No.: ET-G16032AV2
6		Part No.: SPEC-ET-G16032AV2

SHENZHEN ET TECHNOLOGY CO.,LTD.
E-mail: east@eastel.com