

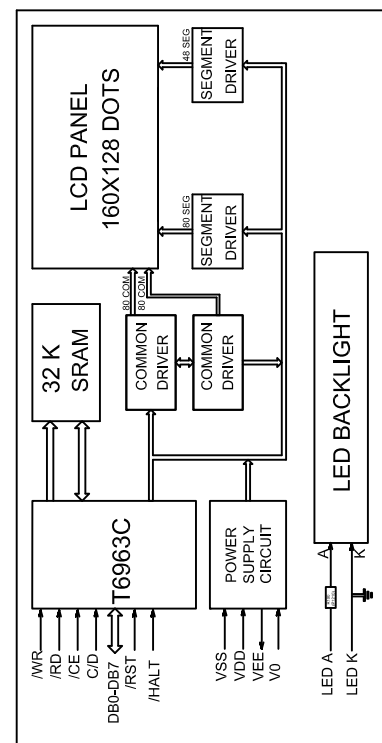
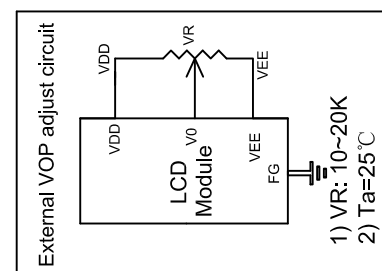
Pin.No	Symbol	Description
1	FG	Frame Ground.
2	VSS	GND.
3	VDD	Power supply for logic and LCD.
4	V0	Operating voltage for LCD.
5	VEE	Negative voltage output to LCD.
6	/WR	Command and data write signal.
7	/RD	Data and status read signal.
8	/CE	Chip enable signal.
9	/CD	Command / Data selection.
10	/HALT	Normal/Stop the oscillation of the clock.
11	/RST	Reset signal (Low effective).
12-19	DB0-DB7	Data bus.
20	NC	-
21	LED K	Backlight anode (0V).
22	LED A	Backlight anode (+5V).

ABSOLUTE MAXIMUM RATING					
Item	Symbol	Min	Type	Max	Unit
Supply voltage logic	VDD	4.8	5.0	5.2	V
LCD Operating Voltage	VDD-V0	-	14.5	19.0	V
LED Voltage	VLED	4.8	5.0	5.2	V
LED Current(Side LED)	I LED	-	90	150	mA

Description

- DISPLAY TYPE: STN(Negative Blue, STN(Positive, Yellow-Green).
- Viewing Direction: 6°CLOCK : (12°CLOCK).
- Polarizer Mode: Transmissive : (Reflective : Reflective).
- Color of Backlight: White : (Yellow/Green).
- Operating voltage option : 5V.
- Operating Temp: -20° ~ 70°C.
- Storage Temp: -30° ~ 80°C.

高铁框 16.2MM
低铁框 12MM



REVISION RECORD		SHENZHEN ET TECHNOLOGY CO.,LTD.	
DATE		Http://www.eastet.com	E-mail: east@eastet.com
1		TITLE: LCM OUTLINE DIMENSION	GEN.TOL.: ±0.2
2		Model No.: ET-G160128AV2	PRO.(3):
3		Part No.: SPEC-ET-G160128AV2	VER.: A
4		DRAWN OY DATE 2011.06.09	SHEET: 1/1
5		CHECKED DATE	UNIT: mm
6		APPROVED DATE	SCALE: 1:1