

1) VR: 10K ~ 20K
2) VDD=5V, T #25° C

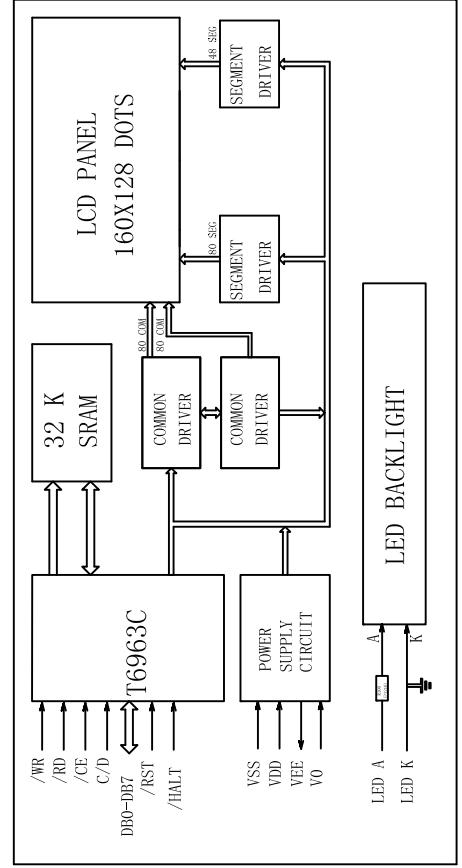
Pin.No	Symbol	Description
1	FG	Frame Ground.
2	VSS	GND.
3	VDD	Power supply for logic and LCD.
4	V0	Operating voltage for LCD.
5	VEE	Negative voltage output to LCD
6	/WR	Command and data write signal .
7	/RD	Data and status read signal.
8	/CE	Chip enable signal.
9	C/D	Command / Data selection.
10	/HALT	Normal/Stops the oscillation of the clock
11	/RST	Reset signal (Low effective).
12-19	DB0-DB7	Data bus.
20	NC	-
21	LED K/A	Power supply for LED backlight
22	LED A/K	Power supply for LED backlight

ABSOLUTE MAXIMUM RATING

Item	Symbol	Min	Type	Max	Unit
Supply voltage logic	VDD	4.8	5.0	5.2	V
LCD Operating Voltage	VDD-V0	-	14.5	19.0	V
LED Voltage	V _{LED}	4.8	5.0	5.2	V
LED Current (Side LED)	I _{LED}	-	90	150	mA

Description

- 1.DISPLAY TYPE: SIN/Negative Blue; (STN/Positive, Yellow-Green).
- 2.Viewing Direction: 6 0' CLOCK ; (12 0' CLOCK).
- 3.Polarizer Mode: Transitive ; (Transflective ; Reflective).
- 4.Color of Backlight: White ; (Yellow/Green).
- 5.Operating voltage option : 5V .
- 6.Operating Temp: -20° ~ 70° C.
- 7.Storage Temp: -30° ~ 80° C.



REVISION RECORD		DATE	SHENZHEN ET TECHNOLOGY CO.,LTD.
1	HTTPE://www.eastel.com		E-mail: east@eastel.com
2	TITLE: LCM OUTLINE DIMENSION		GEN.TOL: ±0.2
3	Model No: ET-G160128AV1		PRO.3% A
4	Part No: SPEC-ET-G160128AV1		VER: A
5	DRAWN OY	DATE 2011.06.03	SHEET: 1/1
6	CHECKED	DATE	UNIT: mm
	APPROVED	DATE	SCALE: 1:1