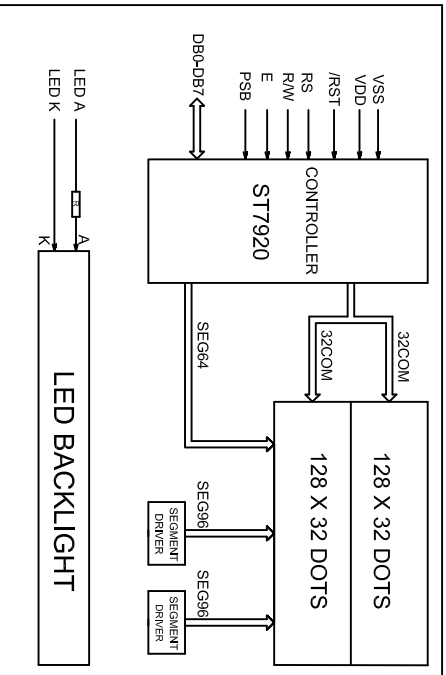


Pin.No	Symbol	Description
1	VSS	GND.
2	VDD	Power supply for logic and LCD.
3	NC/V0	---/Operating voltage for LCD.
4	RS(CS)	Data /Instruction select.
5	R/W(SID)	Read /write select.
6	E(SCLK)	Enable signal.
7-14	DB0-DB7	Data bus.
15	PSB	H:Parallel Mode; L:Serial Mode
16	NC	---
17	/RST	Reset signal (Low effective).
18	NC/VOUT	---/Operating voltage for LCD.
19	LEDA	Backlight anode (+5V).
20	LEDK	Backlight cathode (+0V).

ABSOLUTE MAXIMUM RATING			
Item	Symbol	Min	Type
Supply voltage logic	VDD	4.7	5.2
LCD Operating Voltage	VDD-V0	-	8.2
LED Voltage	VLED	4.8	5.0
LED Current (Side LED)	ILED	60	70
			80
			mA

- Description**
- 1.DISPLAY TYPE: STN(Negative Blue- (STN/Positive, Yellow-Green).
  - 2.Viewing Direction: 6 O'CLOCK : ( 12 O'CLOCK ).
  - 3.Polarizer Mode: Transmissive ; ( Reflective ).
  - 4.Color of Backlight: White ; ( Yellow/Green ).
  5. Operating voltage option : 5V .
  - 6.Operating Temp: -20° ~ 70°C.
  - 7.Storage Temp: -30° ~ 80°C.



REVISION RECORD		DATE	DATE	SHENZHEN ET TECHNOLOGY CO.,LTD.
1	TITLE: LCM OUTLINE DIMENSION	Model No.: ET-12864LV1	GEN.TOL.: ±0.2	Http://www.et-tech.com
2		Part No.: SPEC-ET-4312864LV1	PRO.03:	Email: eae@et-tech.com
3		DRAWN: bang	VER.: A	
4		CHECKED: DATE	DATE: 09.25	SHEET: 1/1
5		APPROVED: DATE	UNIT: mm	
6			SCALE: 1:1	