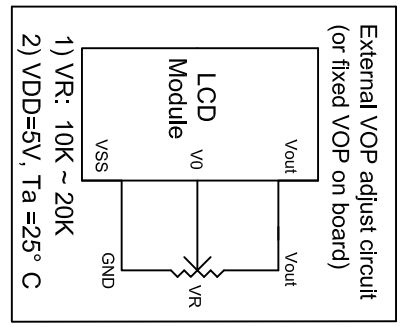
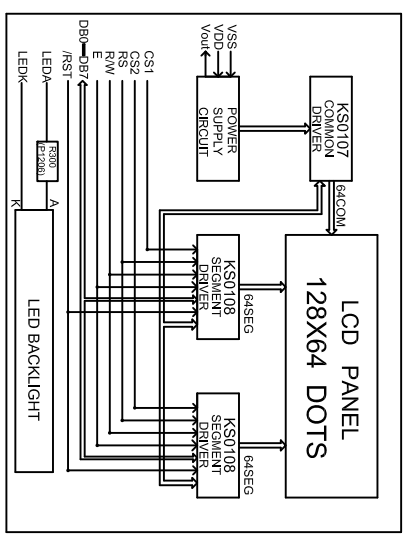


Pin.No	Symbol	Description
1	VSS	GND.
2	VDD	Power supply for logic and LCD.
3	V0	Operating voltage for LCD.
4	RS	Data / instruction select.
5	R/W	Read / write select.
6	E	Enable signal.
7-14	DB0-DB7	Data bus.
15	CS1	Chip select of IC1 (High effective).
16	CS2	Chip select of IC2 (High effective).
17	/RST	Reset signal (Low effective).
18	Vout	Negative voltage output.
19	LEDA	Backlight anode (+5V).
20	LEDK	Backlight cathode (+0V).

ABSOLUTE MAXIMUM RATING			
Item	Symbol	Min	Type Max Unit
Supply voltage logic	VDD	4.7	5.0 5.2 V
LCD Operating Voltage	VDD-V0	-	10.8 13.85 V
LED Voltage	VLED	4.8	5.0 5.2 V
LED Current (Side LED)	ILED	60	70 80 mA

Description	
1.	DISPLAY TYPE: Yellow-Green, STN / Positive (STN Negative Blue).
2.	Viewing Direction: 6 O'CLOCK. (12 O'CLOCK).
3.	Polarizer Mode: Transflective ; (Transmissive ; Reflective).
4.	Color of Backlight: Yellow/Green ; (White).
5.	Operating voltage option : 5V .
6.	Operating Temp: -20° ~ 70°C.
7.	Storage Temp: -30° ~ 80°C.



REVISION RECORD		DATE	SHENZHEN ET TECHNOLOGY CO.,LTD.
1	TITLE: LCD OUTLINE DIMENSION		GEN.TOL.: ±0.2
2	Model No.: ET-12864KV1		PRO.03:
3	Part No.: SPEC-ET-12864KV1		VER.: A
4	DRAWN: QY	DATE: 2011.06.27	SHEET: 1/1
5	CHECKED:	DATE:	UNIT: mm
6	APPROVED:	DATE:	SCALE: 1:1