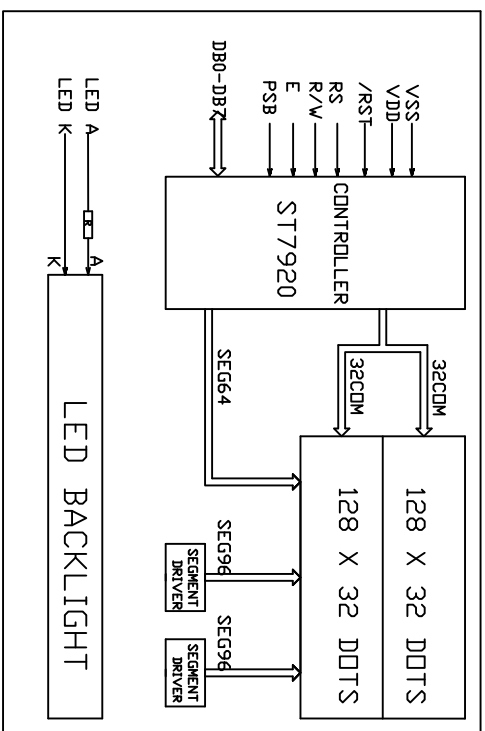


Pin.No	Symbol	Description
1	VSS	GND.
2	VDD	Power supply for logic and LCD.
3	VD	Operating voltage for LCD
4	RSCCS)	Data / Instruction select.
5	R/W(SID)	Read / write select.
6	ESCLK)	Enable signal.
7-14	DB0-DB7	Data bus.
15	PSB	HiParallel Mode/ LSerial Mode
16	NC	---
17	/RST	Reset signal (Low effective) .
18	NC	---
19	LEDA	Backlight anode (+5V) .
20	LEDK	Backlight cathode (+0V) .

ABSOLUTE MAXIMUM RATING			
Item	Symbol	Min	Type/Max Unit
Supply voltage logic	VDD	4.7	5.0 5.2 V
LCD Operating Voltage	VDD-VD	-	5.0 - V
LED Voltage	VLED	4.8	5.0 5.2 V
LED Current	ILED	-	300 360 mA

- Description**
- 1.DISPLAY TYPE: STN /Negative Blue/ (STN/Positive/Yellow-Green).
 - 2.Viewing Direction: 6 D/CLOCK (12 D/CLOCK).
 - 3.Polarizer Model: Transitive / (Transflective / Reflective).
 - 4.Color of Backlight: White / (Yellow/Green) .
 5. Operating voltage option : 5V .
 - 6.Operating Temp: -20° ~ 70°C.
 - 7.Storage Temp: -30° ~ 80°C.



REVISION RECORD		DATE	SHENZHEN ET TECHNOLOGY CO.,LTD.
1	TITLE	LCM OUTLINE DIMENSION	GEN.TOL.: ±0.2
2	Model No.:	ET-G1296KAV1	PRO.03:
3	Part No.:	SPEC-ET-G1296KAV1	VER.: A
4	DRAWN	OV	DATE
5	CHECKED	DATE	2011.06.27
6	APPROVED	DATE	UNIT: mm
		SCALE:	1:1