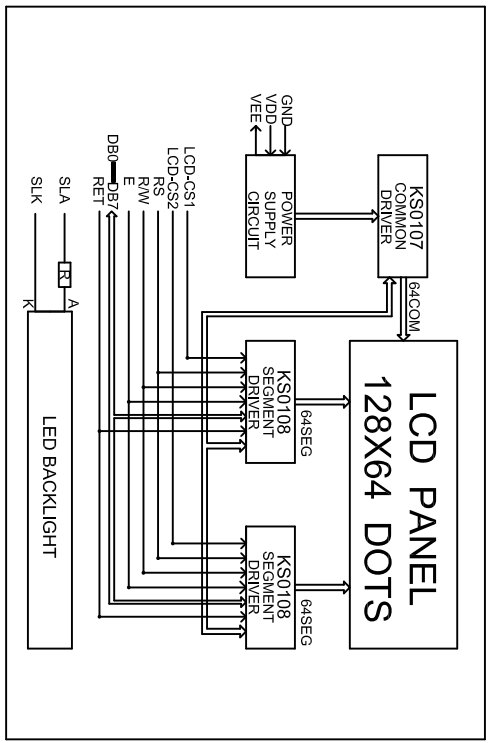


Pin.No	Symbol	Description
1	GND	Ground.
2	VDD	Power supply for logic and LCD.
3	V0	Operating voltage for LCD.
4	RS	Data / Instruction select.
5	RAW	Read / write select.
6	E	Enable signal.
7-14	DB0-DB7	Data bus.
15	LCD-CS2	Chip select of U2 (High effective).
16	LCD-CS1	Chip select of U1 (High effective).
17	RET	Reset signal (Low effective).
18	VEE	Negative voltage output.
19	SLK	Backlight cathode (GND).
20	SLA	Backlight anode (+5V).

ABSOLUTE MAXIMUM RATING				
Item	Symbol	Min	Type	Max
Supply voltage logic	VDD	4.7	5.0	5.2
LCD Operating Voltage	VDD-V0	11.8	12.5	13.85
LED Voltage	VLED	4.8	5.0	5.2
LED Current (Side LED)	ILED	—	40	50
				mA

Description	
1.DISPLAY TYPE:	STN /Positive, Yellow; (STN /Negative Blue)
2.Viewing Direction:	6 OCLOCK ; (12 OCLOCK)
3.Polarizer Mode:	Transmissive ; (Reflective)
4.Color of Backlight:	Yellow/Green ; (White)
5.Operating voltage option :	5V ;
6.Operating Temp :	-20° ~ 70° C.
7.Storage Temp :	-30° ~ 80° C.



NOTE:
1. J1_1/J1_2/J1_3均为P2.54规格四脚排针;

REVISION RECORD		DATE	DESCRIPTION	PROJ. NO.	GEN. TOL. : ±0.2
1					
2					
3					
4					
5					
6					