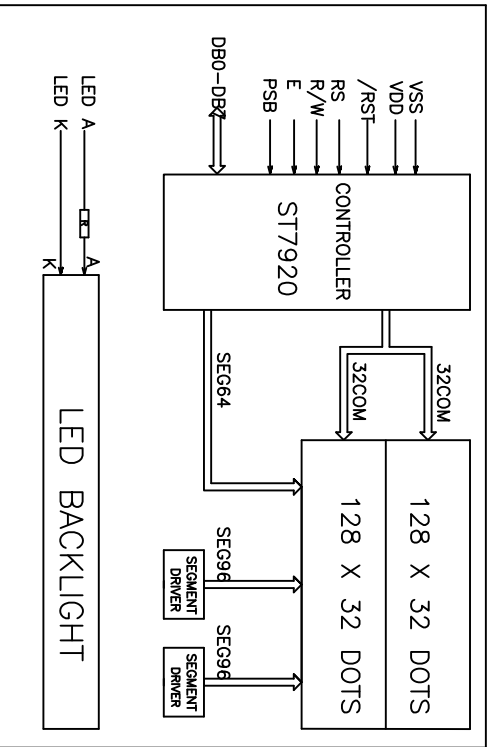


Pin.No	Symbol	Description
1	VSS	GND.
2	VDD	Power supply for logic and LCD.
3	NC	
4	RS(CS)	Data / instruction select.
5	R/W(SID)	Read / write select.
6	E(SCLK)	Enable signal.
7-14	DB0-DB7	Data bus.
15	PSB	H:Parallel Mode; L:Serial Mode
16	NC	
17	/RST	Reset signal (Low effective).
18	NC	
19	LEDA	Backlight anode (+5V).
20	LEDK	Backlight cathode (+0V).

ABSOLUTE MAXIMUM RATING					
Item	Symbol	Min	Type	Max	Unit
Supply voltage logic	VDD	4.7	5.0	5.2	V
LCD Operating Voltage	VDD-V0	-	5.0	-	V
LED Voltage	VLED	4.8	5.0	5.2	V
LED Current	ILED	-	300	360	mA

- Description**
- 1.DISPLAY TYPE: STN /Negative Blue; (STN / Positive, Yellow-Green).
 - 2.Viewing Direction: 6 O'clock ; (12 O'clock).
 - 3.Polarizer Mode: Transitive ; (Transflective).
 - 4.Color of Backlight: White ; (Yellow/Green).
 5. Operating voltage option : 5V .
 - 6.Operating Temp: -20° ~ 70°C.
 - 7.Storage Temp: -30° ~ 80°C.



REVISION RECORD		DATE	SHENZHEN ET TECHNOLOGY CO.,LTD.	
1			http://www.sz-et.com	
2			E-mail: east@szetel.com	
3			GEN.TOL.: ±0.2	
4			Model No.: ET-G12864FV2	
5			Part No.: SPEC-ET-G12864FV2	
6			PROJ.3:	
7			VER.: A	
8			DRAWN OR DATE 2011.08.24 SHEET: 1/1	
9			CHECKED DATE UNIT: mm	
10			APPROVED DATE SCALE: 1:1	