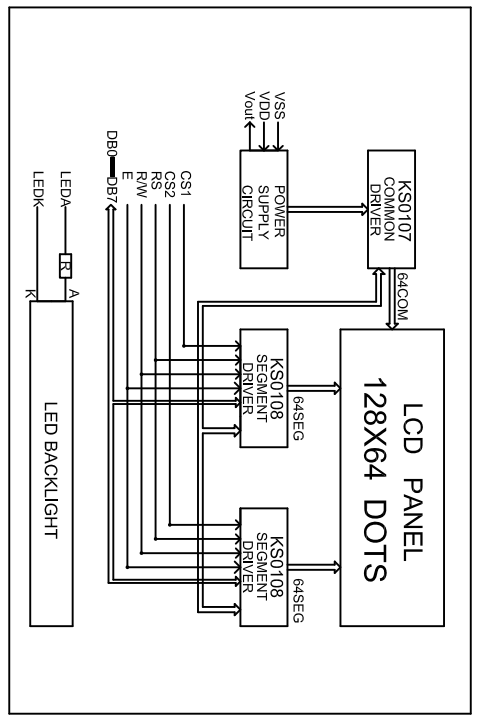


Pin.No	Symbol	Description
1	CSA	Chip select of U3. Right Half Screen (High effective).
2	CSB	Chip select of U2. Left Half screen (High effective).
3	VSS	GND.
4	VDD	Power supply for logic and LCD.
5	V0	Operating voltage for LCD.
6	RS	Data / instruction select.
7	R/W	Read / write select.
8	E	Enable signal.
9-16	DB0-DB7	Data bus.
17	LEDA	Backlight anode (+5V).
18	LEDK	Backlight cathode (+0V).

ABSOLUTE MAXIMUM RATING					
Item	Symbol	Min	Type	Max	Unit
Supply voltage logic	VDD	4.7	5.0	5.2	V
LCD Operating Voltage	VDD-V0	-	8.2	14	V
LED Voltage	VLED	4.8	5.0	5.2	V
LED Current (side LED)	ILED	60	75	80	mA

- Description**
- 1.DISPLAY TYPE: STN / Negative Blue; (STN / Positive , Yellow/Green).
 - 2.Viewing Direction: 6 OCLOCK; (12 OCLOCK).
 - 3.Polarizer Mode: Transitive; (Transflective ; Reflective).
 - 4.Color of Backlight: White; (Yellow/Green).
 5. Operating voltage option: 5V .
 - 6.Operating Temp: -20° ~ 70° C.
 - 7.Storage Temp: -30° ~ 80° C.



1 2 3 4 5 6 7 8

A

B

C

D

A

B

C

D

由 Autodesk 教育版产品制作

由 Autodesk 教育版产品制作

6

6

7

7

8

8

REVISION RECORD		SHENZHEN ET TECHNOLOGY CO.,LTD.	
A	DATE	HTT P:// www.eastel.com	E-mail: east@eastel.com
A	First Issue	TITLE: LCM OUTLINE DIMENSION	GEN.TOL.: ±0.2
B		Model No.: ET-G12864CV5	Pro.(3):
C		Part No.: SPEC-ET-G12864CV5	VER.: A
D		DRAWN: oy	DATE: 2011.06.23
E		CHECKED:	DATE:
F		APPROVED:	DATE:
			SCALE: 1:1