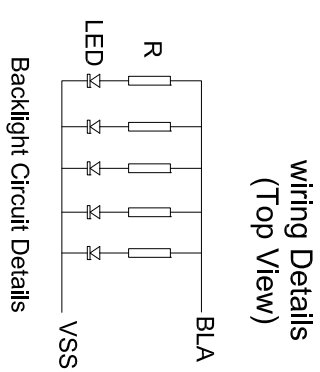
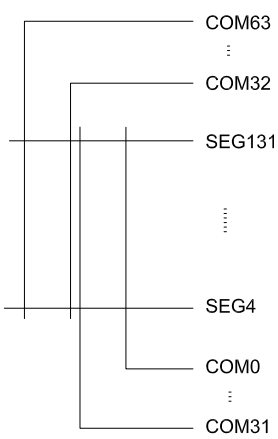


K2	Pin Name	K3 (SP1)	Pin Name
1	VSS	1	VSS
2	VDD	2	VDD
3	D7	3	D7
4	D6	4	D6
5	D5	5	A0
6	D4	6	/RES
7	D3	7	/CS1
8	D2	8	BLA
9	D1		
10	D0		
11	/RD		
12	/WR		
13	A0		
14	/RES		
15	/CS1		
16	BLA		



- NOTES:
1. DISPLAY TYPE: STN
 2. LCM OPERATING VOLTAGE: 3.3V
 3. OPERATING TEMPERATURE: -20°C~70°C
 4. STORAGE TEMPERATURE: -30°C~80°C
 5. DRIVE MODE: 1/65D,1/9B
 6. VIEWING DIRECTION: 6:00
 7. POLARIZER TYPE: TRANSMISSIVE,NAGATIVE
 8. CONNECTOR: FPC
 9. DRIVER IC: ST7565R
 10. BACK LIGHT: 100MA(3.3V,TYP.)

REVISION RECORD		SHENZHEN ET TECHNOLOGY CO.,LTD.	
A	First Issue	HTTPE:// www.eastel.com	E-mail: east@eastel.com
B	Add bezel	Model No.: ET-G12864-8	PRO.(3):
C		Part No.: ET-G12864-8	VER.: B
D		DRAWN OY	DATE 2011.12.20
E		CHECKED	DATE
F		APPROVED	DATE