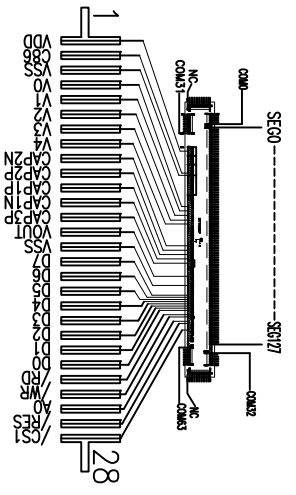
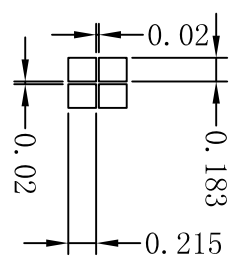
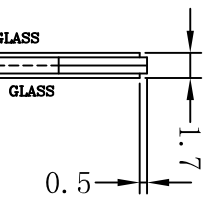
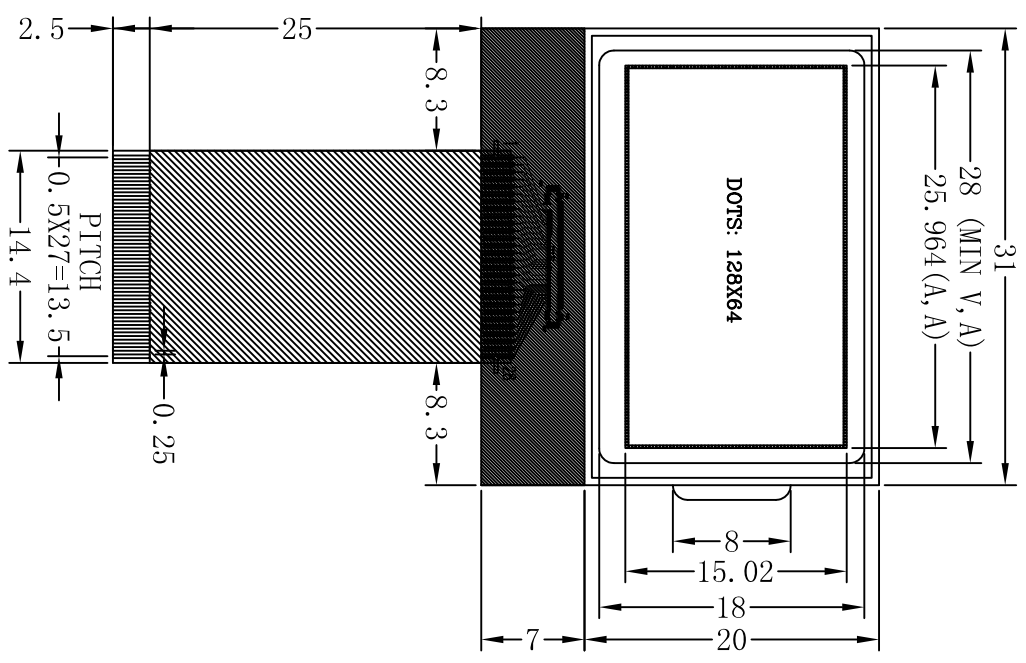


31
28 (MIN V, A)
25.964 (A, A)

DOTS: 128X64



1	VDD
2	C86
3	VSS
4	V0
5	V1
6	V2
7	V3
8	V4
9	CAP2N
10	CAP2P
11	CAP1P
12	CAP1N
13	CAP3P
14	VOUT
15	VSS
16	D7
17	D6
18	D5
19	D4
20	D3
21	D2
22	D1
23	D0
24	RD\
25	WR\
26	A0
27	/RES
28	/CS1

NOTES:

1. DISPLAY TYPE: FSTN
2. LCM OPERATING VOLTAGE: 3.0V
3. OPERATING TEMPERATURE: -10°C~70°C
4. STORAGE TEMPERATURE: -20°C~70°C
5. DRIVE MODE: 1/64D,1/9B
6. VIEWING DIRECTION: 6:00
7. POLARIZER TYPE: TRANSMISSIVE, POSITIVE
8. CONNECTOR: FPC
9. DRIVER IC: COG(NT7565P)

REVISION RECORD	DATE	SHENZHEN ET TECHNOLOGY CO.,LTD.
A	First Issue	Model No.: ET-G12864-5
B		Part No.: SPEC-ET-G12864-5-FCSW
C		DRAWN OY
D		CHECKED
E		APPROVED
F		

GEN.TOL.: ±0.2	VER.: A
PRO.(3):	SHEET: 1/1
DATE: 2011.06.21	UNIT: mm
SCALE: 1:1	