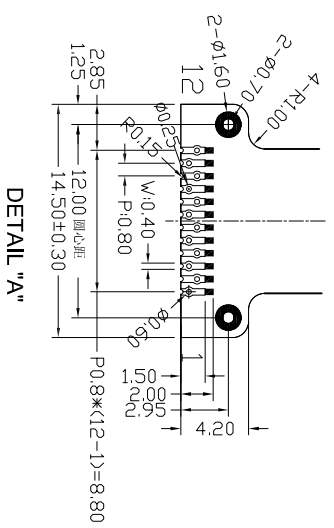
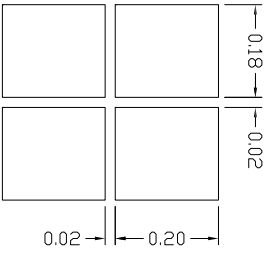


Pin.No	Symbol
1	CST
2	RST
3	A0
4	SCL
5	SDA
6	VDD
7	VSS
8	V0
9	XV0
10	V/G
11	NC
12	NC

NOTE

1. DISPLAY TYPE: FSTN/POSITIVE
2. POLARIZER: REFLECTIVE
3. VIEWING DIRECTION: 6:00-CLOCK
4. DRIVE METHOD: 1/64DUTY, 1/9BIAS
5. LCD OPERATING VOLTAGE: 9.0V
6. LCM OPERATING VOLTAGE: 3.0V
7. OPERATING TEMP: -10 TO 60 Deg.C
8. STORAGE TEMP: -20 TO 70 Deg.C
9. CONNECTOR: COG
10. Back light: White, V_F=3.1V, I_F=30mA.
11. UNSIGNED TOLERANCE: ±0.20



REVISION RECORD		DATE	SHENZHEN ET TECHNOLOGY CO.,LTD.
A	First Issue		Http://www.aseat.com
B			E-mail: eeat@easet.com
C			Model No.: ET-G12864-15
D			Part No.: SPEC-ET-G12864-15
E			DRAWN Helen
F			CHECKED DATE 2012.11.28
			APPROVED DATE
			SCALE: 1:1