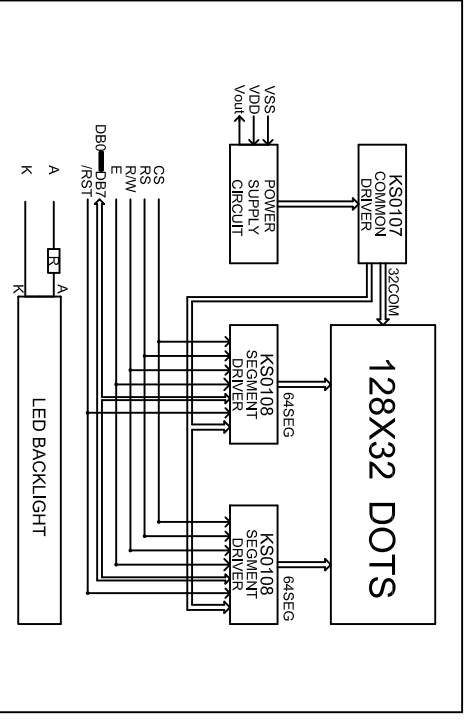


Pin.No	Symbol	Description
1	VO	Operating voltage for LCD.
2	A	Backlight anode (+5V).
3	VOUT	Negative voltage output.
4	VDD	Power supply for logic and LCD.
5	VSS	GND.
6	E	Enable signal.
7	RS	Data / Instruction select.
8	R/W	Read / write select.
9	CS	Chip select of IC1 And IC2 (High effective).
10	/RST	Reset signal (Low effective).
11-18	DB0-DB7	Data bus.

ABSOLUTE MAXIMUM RATING				
Item	Symbol	Min	Type	Max
Supply voltage logic	VDD	4.7V	5.0V	5.2V
LCD Operating Voltage	VDD-V0	-	5.0	-
LED Voltage	VLED	4.8V	5.0V	5.2V
LED Current	ILED	-	30	60
				mA

- Description**
- 1.DISPLAY TYPE: STN(Positive, Yellow-Green, (STN)Negative Blue).
 - 2.Viewing Direction: 6 O'CLOCK: (12 O'CLOCK).
 - 3.Polarizer Mode: Transmissive; (Transmissive; Reflective).
 - 4.Color of Backlight: Yellow/Green; (White).
 - 5.Operating voltage option: 5V.
 - 6.Operating Temp: -20° ~ 70°C.
 - 7.Storage Temp: -30° ~ 80°C.



REVISION RECORD		DATE	SHENZHEN ET TECHNOLOGY CO.,LTD.	
1		HTTP://WWW.A88TEL.COM	E-mail: east@eastet.com	
2		TITLE: LCM OUTLINE DIMENSION	GEN.TOL.: ±0.2	
3		Model No.: ET-G12832CV1	P/Q.(3):	
4		Part No.: SPEC-ET-G12832CV1	VER.:	A
5		DRAWN hwx	DATE 2010.12.02	SHEET: 1/1
6		CHECKED	DATE	UNIT: mm
		APPROVED	DATE	SCALE: 1:1