

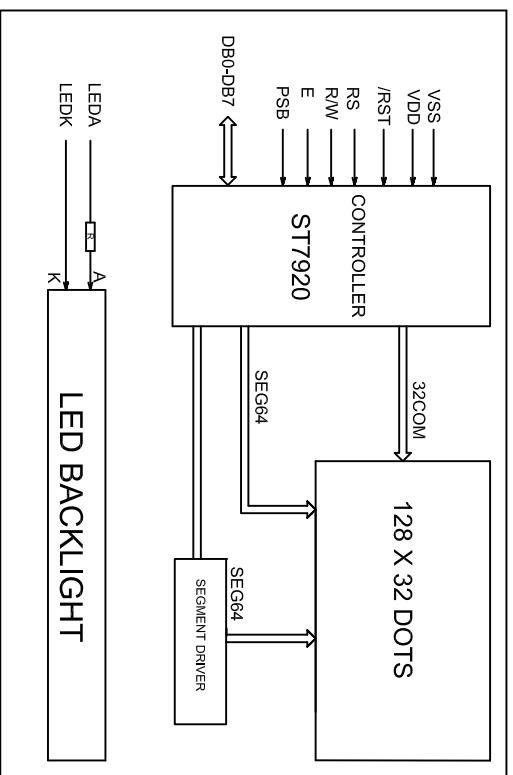
Pin.No	Symbol	Description
1	LEDA	Backlight anode (+5V).
2	LEDK	Backlight cathode (+0V).
3	VSS	GND.
4	VDD	Power supply for logic and LCD.
5	E(SCLK)	Enable signal.
6	RS(SCS)	Data / instruction select.
7-14	DB0-DB7	Data bus.
15	RW(SID)	Read / write select.
16	/RST	Reset signal (Low effective).
17	PSB	H:Parallel Mode; L:Serial Mode
18	NC	---

ABSOLUTE MAXIMUM RATING

Item	Symbol	Min	Type	Max	Unit
Supply voltage logic	VDD	2.7	5.0	5.2	V
LCD Operating Voltage	VDD-V0	-	5.0	-	V
LED Voltage	VLED	4.8	5.0	5.2	V
LED Current	ILED	-	120	360	mA

Description

- 1.DISPLAY TYPE: STN/Positive, Yellow-Green; (STN/Negative, Blue).
- 2.Viewing Direction: 6 O'CLOCK; (12 O'CLOCK).
- 3.Polarizer Mode: Transmissive; (Transmissive/Reflective).
- 4.Color of Backlight: Yellow/Green; (White).
- 5.Operating voltage option: 5V.
- 6.Operating Temp: 0° ~ 50°C.
- 7.Storage Temp: -20° ~ 70°C.



REVISION RECORD		DATE	SHENZHEN ET TECHNOLOGY CO.,LTD.	
			Http://www.etsemi.com	
			Email: eae@etsemi.com	
1	TITLE: LCM OUTLINE DIMENSION		GEN.TOL.: ±0.2	
2			PRO.03:	
3	Model No.: ET-G12832BV1		VER.: A	
4	Part No.: SPEC-ET-G12832BV1	DRAWN: tang	DATE: 09/06/06	SHEET: 1/1
5	CHECKED	DATE	UNIT: mm	
6	APPROVED	DATE	SCALE: 1:1	