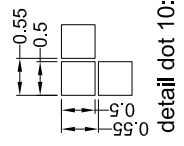
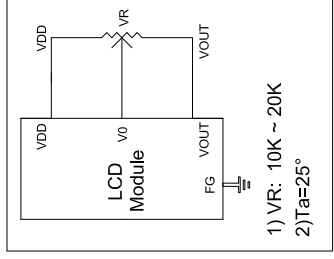
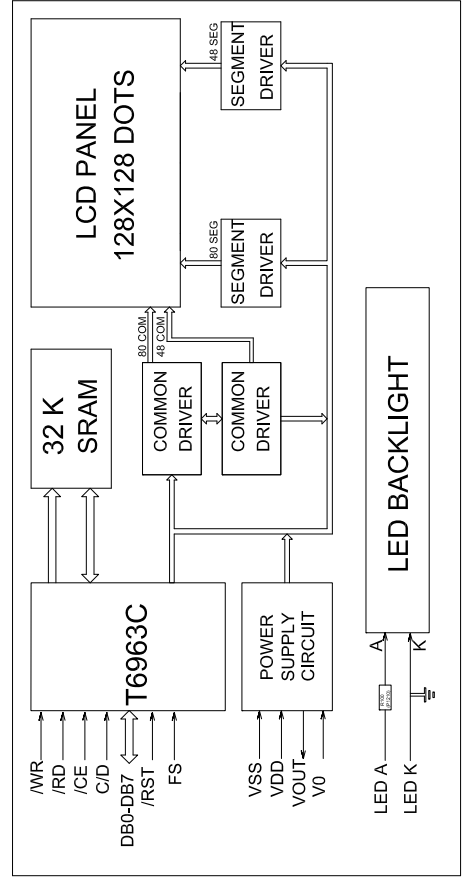


Pin.No	Symbol	Description
1	FG	Frame Ground.
2	VSS	GND.
3	VDD	Power supply for logic and LCD.
4	V0	Operating voltage for LCD.
5	/WR	Command and data write signal.
6	/RD	Data and status read signal.
7	/CE	Chip enable signal.
8	C/D	Command / Data selection.
9	/RST	Reset signal (Low effective).
10-17	DB0-DB7	Data bus.
18	FS	Selection of font H: 6X8 L: 8X8.
19	LED A	Backlight anode (+5V).
20	LED K	Backlight canode (0V).
21	VOUT	Negative voltage output to LCD

ABSOLUTE MAXIMUM RATING					
Item	Symbol	Min	Type	Max	Unit
Supply voltage logic	VDD	4.8	5.0	5.2	V
LCD Operating Voltage	VDD-V0	-	18.0	-	V
LED Voltage	VLED	4.8	5.0	5.2	V
LED Current	I LED	-	75	-	mA

Description

- DISPLAY TYPE: STN / Positive Yellow-Green; (STN / Negative Blue ; Fsm).
- Viewing Direction: 6 O'CLOCK; (12 O'CLOCK).
- Polarizer Mode: Transflective ; (Transmissive ; Reflective).
- Color of Backlight: Yellow/Green; (White).
- Operating voltage option : 5V ;
- Operating Temp: -20° ~ 70° C
- Storage Temp: -30° ~ 80° C
- Drive method: 1/128duty, 1/12bias, Vop=18V



REVISION RECORD	DATE	SHENZHEN ET TECHNOLOGY CO.,LTD.
1		E-mail: east@eastet.com
2		Http://www.eastet.com
3		Model No.: ET-G128128EV1
4		Part No.: SPEC-ET-G128128EV1
5		DRAWN 张阳隆
6		CHECKED DATE 2012.03.29
		APPROVED DATE