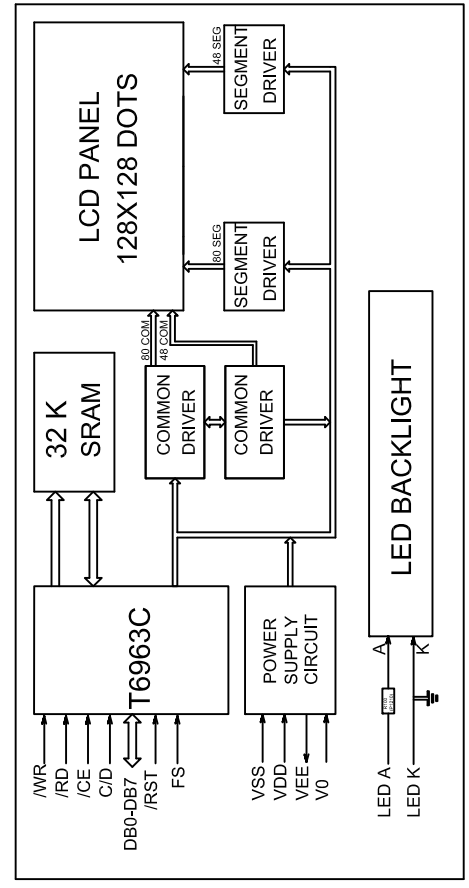


Pin.No	Symbol	Description
1	FG	Frame Ground.
2	VSS	GND.
3	VDD	Power supply for logic and LCD.
4	VEE	Negative voltage output to LCD.
5	V0	Operating voltage for LCD.
6	/WR	Command and data write signal.
7	/RD	Data and status read signal.
8	/CE	Chip enable signal.
9	C/D	Command / Data selection.
10	/RST	Reset signal (Low effective).
11-18	DB0-DB7	Data bus.
19	FS	Selection of font H: 6X8 L: 8X8.
20	NC	-
21	LED K	Backlight canode (0V).
22	LED A	Backlight anode (+5V).

ABSOLUTE MAXIMUM RATING			
Item	Symbol	Min	Max
Supply voltage Logic	VDD	4.8	5.2
LCD Operating Voltage	VDD-V0	-	16.0
LED Voltage	VLED	4.8	5.0
LED Current (Single LED)	ILED	-	90

- Description
- 1.DISPLAY TYPE: STN/Positive Yellow-Green; (STN/Negative, Blue).
 - 2.Viewing Direction: 6 O'CLOCK ; (12 O'CLOCK).
 - 3.Polarizer Mode: Transflective ; (Transflective ; Reflective).
 - 4.Color of Backlight: Yellow/Green ; (White).
 - 5.Operating voltage option : 5V .
 - 6.Operating Temp: -10° ~ 60° C.
 - 7.Storage Temp: -20° ~ 70° C.



REVISION RECORD		DATE	SHENZHEN ET TECHNOLOGY CO.,LTD.	
1			E-mail: east@eastet.com	
2			Http:// www.eastet.com	
3			TITLE: LCM OUTLINE DIMENSION	
4			Model No.: ET-G128128BV2	
5			Part No.: SPEC-ET-G128128BV2	
6			DRAWN: OU DATE: 2010.11.20 SHEET: 1/1	
			CHECKED: DATE: UNIT: mm	
			APPROVED: DATE: SCALE: 1:1	