

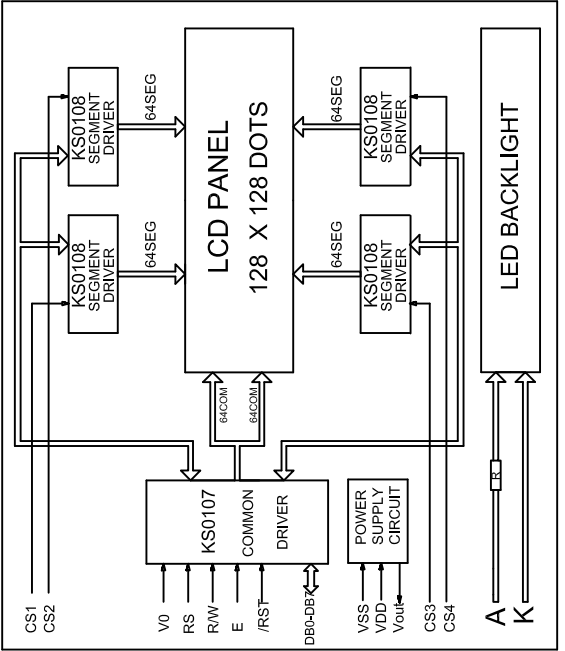
Pin.No	Symbol	Description
1	VSS	GND.
2	VDD	Power supply for logic and LCD.
3	V0	Operating voltage for LCD.
4	RS	Data / instruction select.
5	R/W	Read / write select.
6	E	Enable signal.
7	/RST	Reset signal (Low effective) .
8-15	DB0-DB7	Data bus.
16	CS1	Selection Signal for chip 1 (SEG1-64). HIGH EFFECTIVE
17	CS2	Selection Signal for chip 2 (SEG65-128). HIGH EFFECTIVE
18	CS3	Selection Signal for chip 3 (SEG129-192). HIGH EFFECTIVE
19	CS4	Selection Signal for chip 4 (SEG193-256). HIGH EFFECTIVE
20	Vout	Negative voltage output.
21	A	Backlight anode (+5V).
22	k	Backlight cathode (-).

ABSOLUTE MAXIMUM RATING

Item	Symbol	Min	Type	Max	Unit
Supply voltage logic	VDD	4.8	5.0	5.2	V
LCD Operating Voltage	VDD-V0	11.8	16.0	18.85	V
LED Voltage	VLED	4.8	5.0	5.2	V
LED Current (Side LED)	I LED	-	110	-	mA

Description

- 1.DISPLAY TYPE: STN / Positive Yellow-Green; (STN / Negative Blue ; Fstn).
- 2.Viewing Direction: 6 O'CLOCK ; (12 O'CLOCK).
- 3.Polarizer Mode: Transflective ; (Transitive ; Reflective).
- 4.Color of Backlight: Yellow/Green; (White).
5. Operating voltage option : 5V .
- 6.Operating Temp: -20° ~ 70°C
- 7.Storage Temp: -30° ~ 80°C



REVISION RECORD		DATE	DESCRIPTION
A	First Issue		

SHENZHEN ET TECHNOLOGY CO.,LTD.		DATE	DESCRIPTION
TITLE: LCM OUTLINE DIMENSION		PROJ: ET-G128128AV1	GEN.TOL.:±0.2
Model No.: ET-G128128AV1		Part No.: SPEC-ET-G128128AV1	VER.: A
DRAWN: OY		DATE: 2011.06.11	SHEET: 1/1
CHECKED:		DATE:	UNIT: mm
APPROVED:		DATE:	SCALE: 1:1