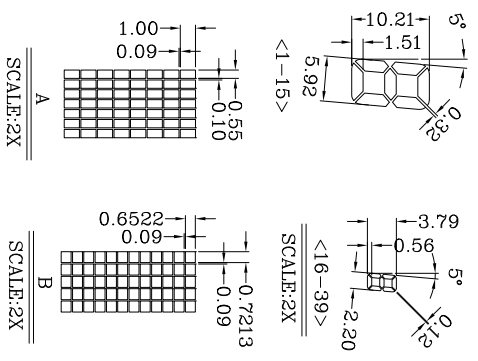
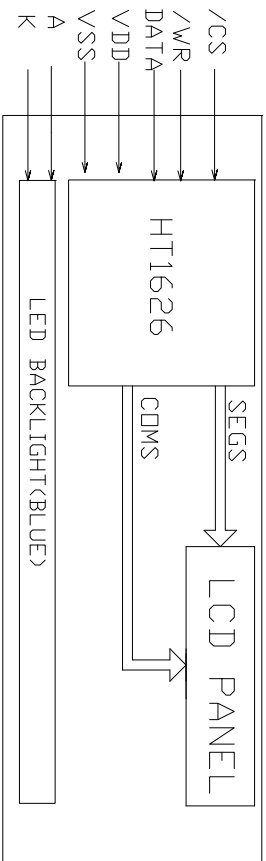


△有修改的地方



Pin.No	Symbol	Description
1	VDD	Power supply
2	VSS	GND.
3	DATA	Serial data input or output with Pull-high resistor
4	/WR	WRITE clock input with Pull-high resistor.
5	CS1	Chip selection input with Pull-high resistor.
6	CS2	Chip selection input with Pull-high resistor.
7	CS3	Chip selection input with Pull-high resistor.
8	LED A	Backlight anode
9	LED K	Backlight cathode

ABSOLUTE MAXIMUM RATING					
Item	Symbol	Min	Type	Max	Unit
Operating Voltage	VDD	4.8	5.0	5.2	V
Operating Current	IDD	-	-	-	mA
LED Voltage	VLED	4.8	5.0	5.1	V
LED Current	ILED	-	TBD	-	mA

- Description
- 1.DISPLAY TYPE: TN/POSITIVE
 - 2.Viewing Direction: 6 O'CLOCK.
 - 3.Polarizer Mode: TRANSPARENT
 - 4.Color of Backlight: WHITE
 - 5.Operating Temp: -20° ~ 70°C.
 - 6.Storage Temp: -30° ~ 80°C.
 - 7.Driving condition: 1/16Duty/1/5Bias, Vop=5V, Vdd=5V

REVISION RECORD		SHENZHEN ET TECHNOLOGY CO.,LTD.	
1	DATE	Http://www.eastet.com	E-mail: east@eastet.com
1	Modify LCD Logic	2010.06.22	TITLE: LCM OUTLINE DIMENSION
2	Modify LCM HIGH SIZE	2010.06.23	Model No.: ET-S05307
3	Modify LCM OUTLINE SIZE	2010.06.29	Part No.: SPEC-ET-S05307
4	New Led	2010.11.16	DRAWN OU DATE
5	Modify LCD Logic	2010.11.19	CHECKED DATE
6	Modify LCD Logic	2011.01.15	APPROVED DATE
		PRO.(3):	GEN.TOL.: #0.2
		VER.:	H
		SHEET:	1/5
		UNIT:	mm
		SCALE:	1:1