

1 2 3 4 5 6 7 8

D

C

B

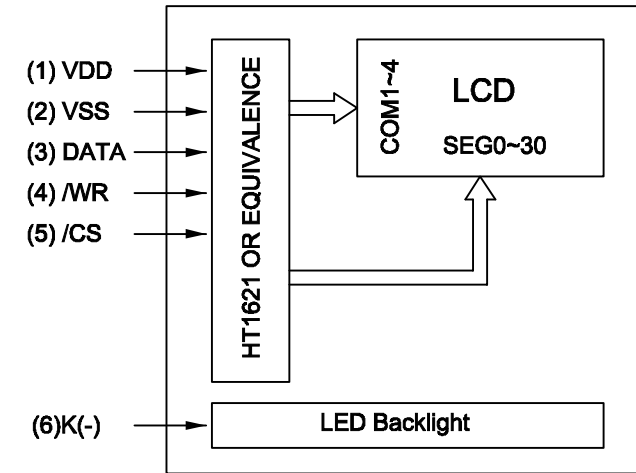
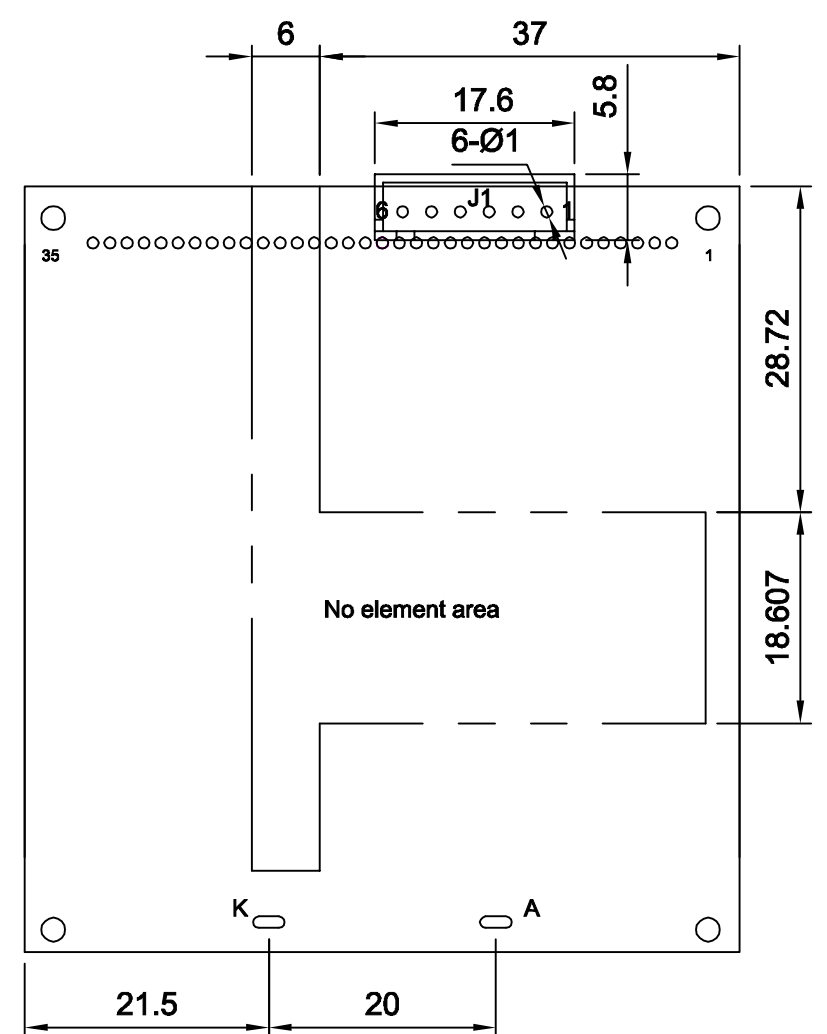
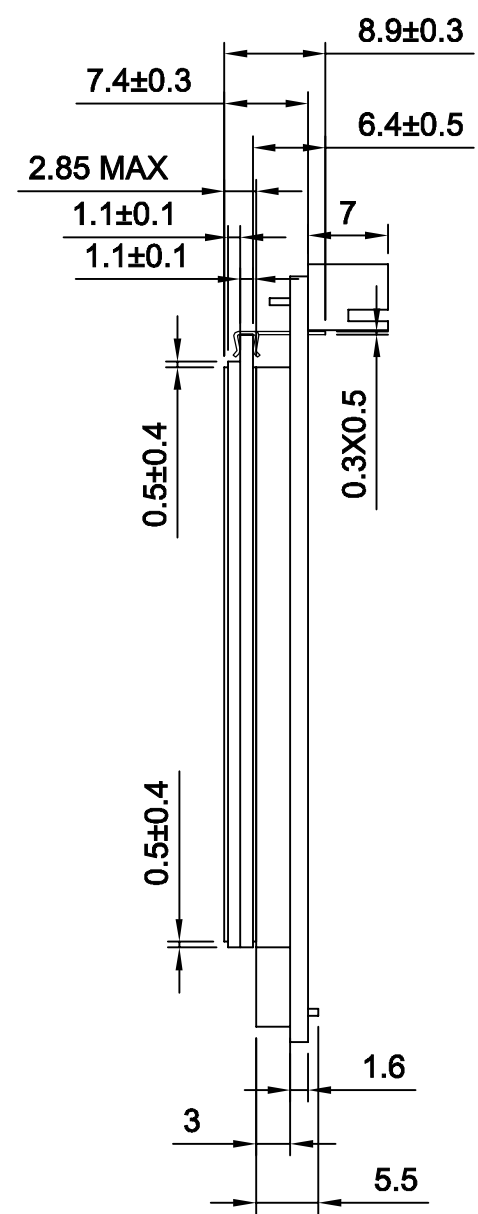
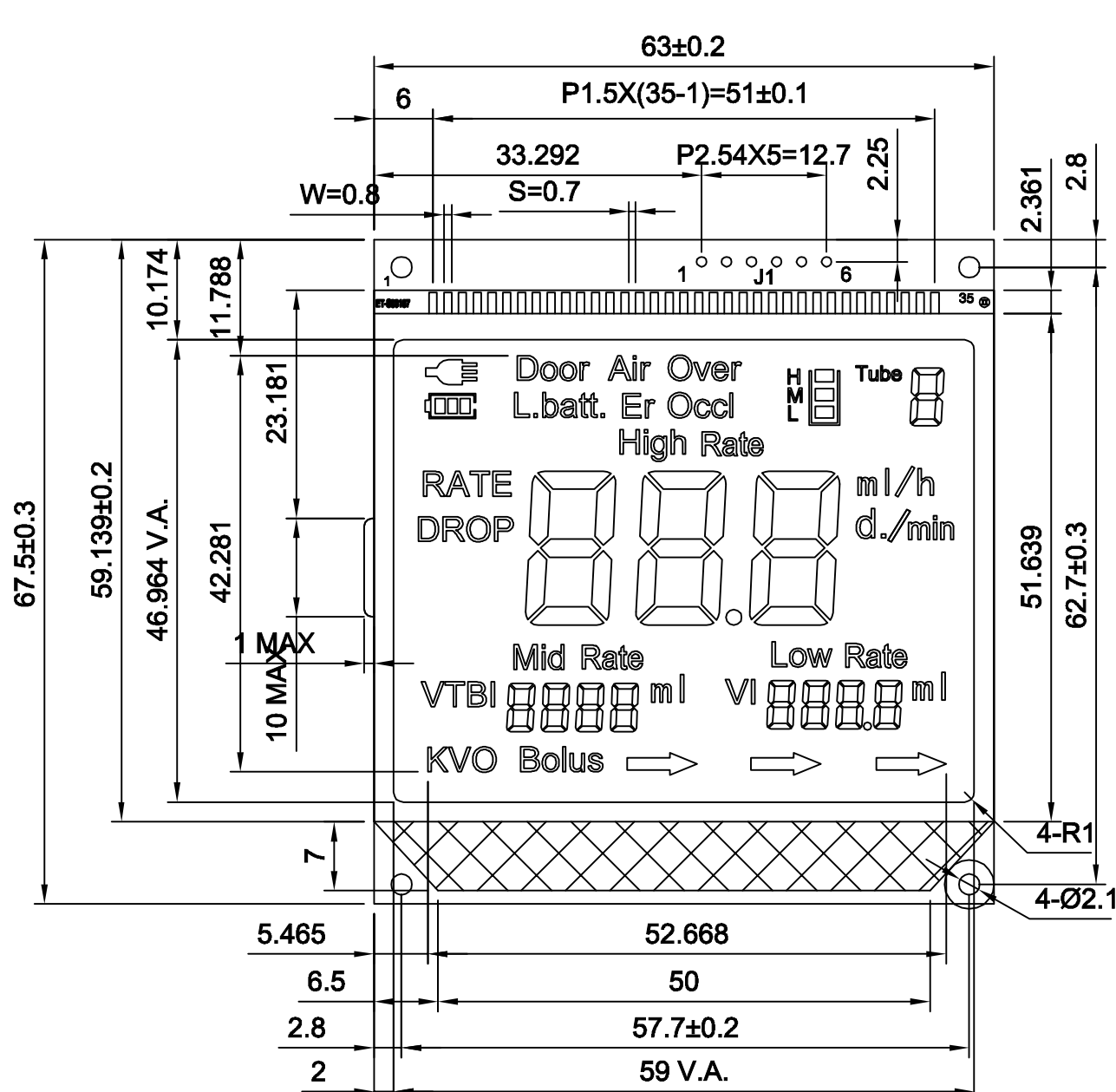
A

C

C

E

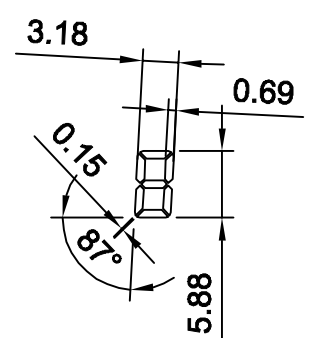
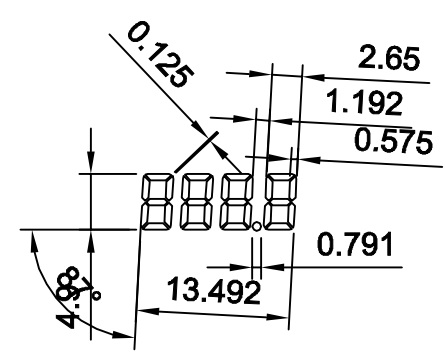
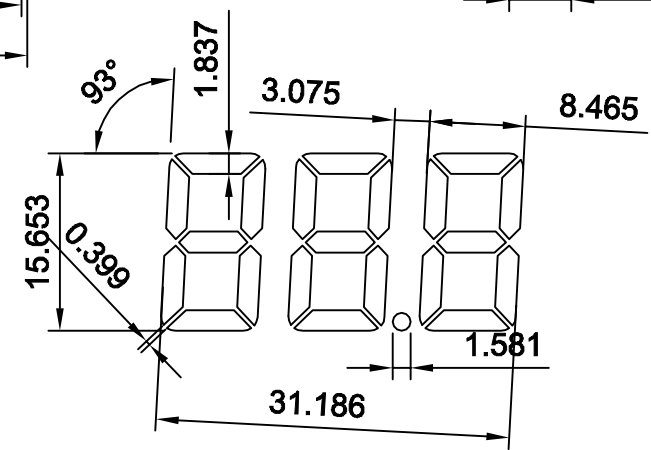
A



PIN	SYMBOL	FUNCTION
1	VDD	Positive power supply
2	VSS	Ground
3	DATA	Serial data input
4	/WR	Write clock input
5	CS	Chip selection input
6	K(-)	Power supply for backlight

DESCRIPTION:

1. Display type: VA, Black;
2. Operating voltage: 5V;
3. Operating temperature: -20°C~70°C;
4. Storage temperature: -30°C~80°C;
5. Drive mode: 1/4 Duty, 1/3 Bias;
6. Viewing direction: 6 O'Clock;
7. Polarizer type: Transmissive, Negative;
8. Color of backlight: White(Y/G);
9. Drive IC: HT1621;
10. Interface: Serial



REVISION RECORD		DATE	SHENZHEN ET TECHNOLOGY CO.,LTD.	
A		FIRST ISSUE	E-mail: east@eastet.com	
B			TITLE: LCM OUTLINE DIMENSION	GEN.TOL.: ±0.2
C			Model No.: ET-S03107	PRO.(3):
D			Part No.: SPEC-ET-S03107	VER.: A
E			DRAWN JLS DATE 2013-11-22	SHEET: 1
F			CHECKED DATE	UNIT: mm
			APPROVED DATE	SCALE: 1:1