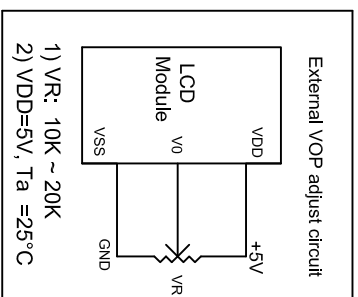
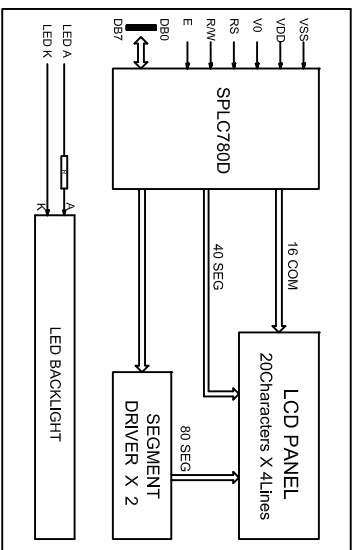


Pin.No	Symbol	Level	Function
1	VSS	—	GND(0V)
2	VDD	—	Power Supply (+5V)
3	V0	—	Operating Voltage for LCD
4	RS	H/L	H: data : L: Instruction code
5	R/W	H/L	H: read : L: write
6	E	H/L	Enable Signal
7-14	DB0-DB7	H/L	Data Bus
15	A	—	Power supply for LED backlight (+5V)
16	K	—	Power supply for LED backlight (-)

ABSOLUTE MAXIMUM RATING			
Item	Symbol	Min	Max
Operating Voltage	VDD	4.8	5.0
Operating Current	I <sub>DD</sub>	-	1.8
LED Voltage	V <sub>LED</sub>	4.8	5.0
LED Current	I <sub>LED</sub>	-	340

**Description**

1) DISPLAY TYPE: ST/IN POSITIVE YELLOW-GREEN (ST/NEGATIVE BLUE).  
 2) Viewing Direction: 6 O'CLOCK.  
 3) Polarizer Mode: Transmissive (Reflective, Transmissive).  
 4) Color of Backlight: Yellow/Green (White).  
 5) Operating Temp: 0° ~ 50°C.  
 6) Storage Temp: -10° ~ 60°C.  
 7) Character Table: English: Japanese: European: Chinese.  
 8) Operating Voltage Option: 5.0V



REVISION RECORD		DATE	DATE	SHENZHEN ET TECHNOLOGY CO.,LTD.	
		<a href="http://www.et-tech.com">HTTP://www.et-tech.com</a> Email: eaei@easetech.com			
1	TITLE: LCM OUTLINE DIMENSION	GEN.TOL.: ±0.2			
2	Model No.: ET-C2004BV1	PRO.03:			
3	Part No.: SPEC:ET-C2004BV1	VER.: A			
4	DRAWN: OY	DATE: 2011/07/07	SHEET: 1/1		
5	CHECKED:	DATE:	UNIT: mm		
6	APPROVED:	DATE:	SCALE: 1:1		