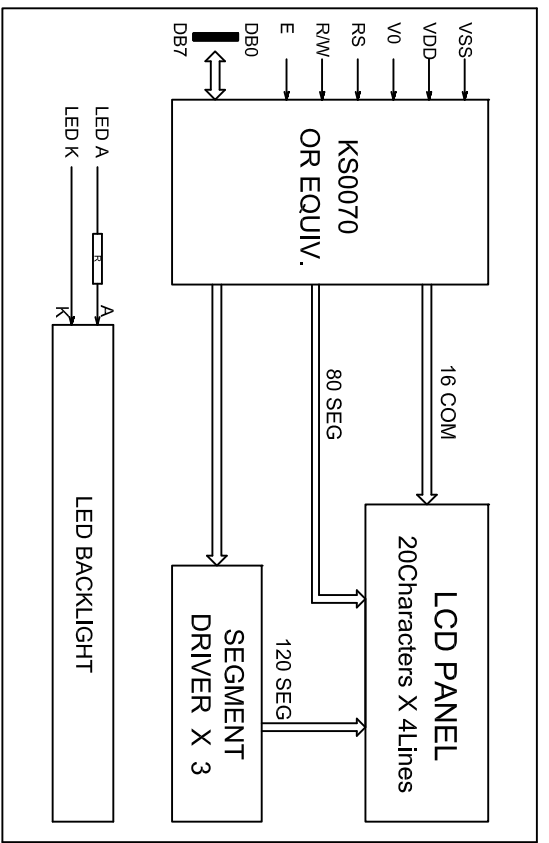


Pin.No	Symbol	Level	Function
1	VSS	—	GND(0V)
2	VDD	—	Power Supply (+5V)
3	V0	—	Operating Voltage for LCD
4	RS	H/L	Hi. data : L. Instruction code
5	R/W	H/L	Hi. read : L. write
6	E	H/L	Enable Signal
7-14	DB0-DB7	H/L	Data Bus
15	K	—	Power supply for LED backlight (-)
16	A	—	Power supply for LED backlight (+5V)

ABSOLUTE MAXIMUM RATING			
Item	Symbol	Min	Max
Operating Voltage	VDD	4.8	5.0
Operating Current	I <sub>DD</sub>	1.8	2.2
LED Voltage	V <sub>LED</sub>	4.8	5.0
LED Current	I <sub>LED</sub>	-	180

- Description**
- 1.DISPLAY TYPE: STNPOSITIVE YELLOW-GREY; STNNEGATIVE BLUE.
  - 2.Viewing Direction: 8 O'CLOCK.
  - 3.Polarizer Mode: Transitive/ Transilctive/Reflective.
  - 4.Color of Backlight: Yellow/Green / White ;
  - 5.Operating Temp: -0° ~ 50°C.
  - 6.Storage Temp: -10° ~ 80°C.
  - 7.Character Table: English; Japanese; European; Cyrillic.
  - 8.Operating Voltage Option: 5.0V



REVISION RECORD		DATE	SHENZHEN ET TECHNOLOGY CO.,LTD.
1	HTTRV7/20080816/426		E-mail: east@eastelec.com
2	TITLE,LOW OUTLINE DIMENSION		GEN.TOL:±0.2
3	FILE NAME: ET-C2004AV1		PRO.03:
4	FILE NO.:SPEC-ET-C2004AV1		REV: A
5	DRAWN BY: OY	DATE: 2011/07/27	SHEET: 1/1
6	CHECKED BY:	DATE:	UNIT: mm
	APPROVED BY:	DATE:	SCALE: 1:1