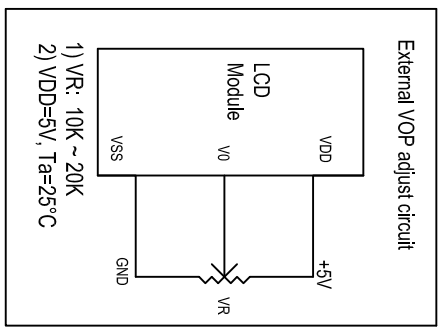
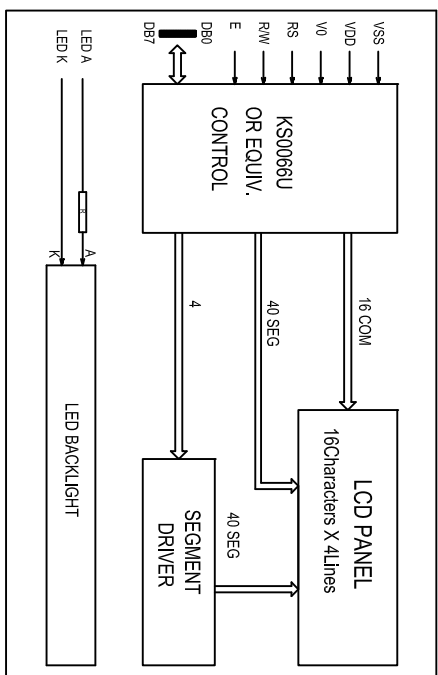


Detail "A"
Scale: 4:1

Pin No	Symbol	Level	Function
1	VSS	---	GND(0V)
2	VDD	---	Power Supply (+5V)
3	V0	---	Operating Voltage for LCD
4	RS	H/L	H: data; L: Instruction code
5	R/W	H/L	H: read; L: write
6	E	H/L	Enable Signal
7-14	DB0-DB7	H/L	Data Bus
15	K	---	Power supply for LED backlight (+5V)
16	A	---	Power supply for LED backlight (+5V)

ABSOLUTE MAXIMUM RATING					
Item	Symbol	Min	Type	Max	Unit
Operating Voltage	VDD	4.8	5.0	5.2	V
Operating Current	I _{DD}	-	1.8	2.2	mA
LED Voltage	V _{LED}	2.9	3.1	3.3	V
LED Current	I _{LED}	-	30	-	mA

- Description**
- 1) DISPLAY TYPE: SINGLE POSITIVE YELLOW/GREEN (SINGLE POSITIVE BLUE).
- 2) Viewing Direction: 6 O'CLOCK.
- 3) Polarizer Mode: Transflective (Reflective, Transmissive).
- 4) Color of Backlight: Yellow/Green (White).
- 5) Operating Temp: 0° - 50°C.
- 6) Storage Temp: -10° - 50°C.
- 7) Character Table: English, Japanese, European, Greek.
- 8) Operating Voltage Option: 5.0V



External VOP adjust circuit
1) VR: 10K ~ 20K
2) VDD=5V, Ta=25°C

REVISION RECORD		SHENZHEN ET TECHNOLOGY CO.,LTD.	
DATE	DATE	E-mail: ees@easet.com	GEN.TOL.: ±0.2
1		http://www.easet.com	PRO.(3):
2		TITLE: LCM OUTLINE DIMENSION	VER.: 1/1
3		Model No.: ET-C1604AV1	
4		Part No.: SPEC-ET-C1604AV1	
5		DRAWN WY	DATE 2010.4.7
6		CHECKED	DATE
		APPROVED	DATE