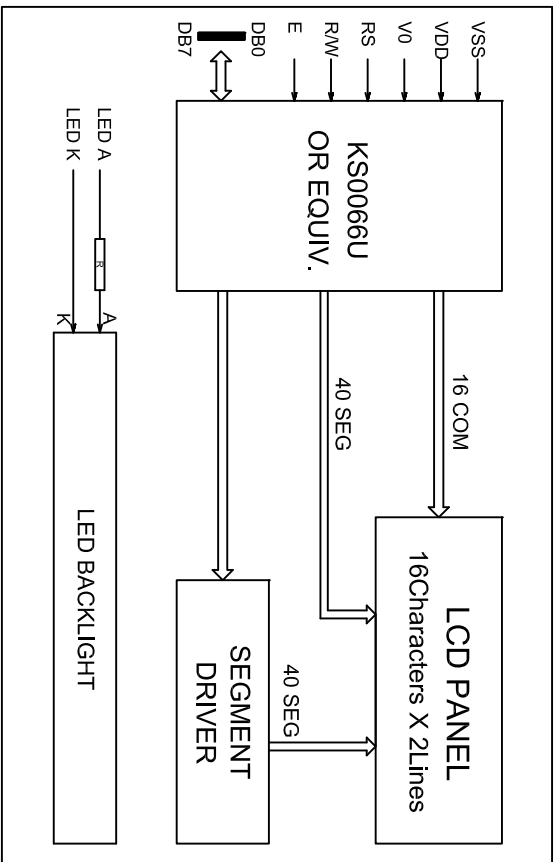


Pin.No	Symbol	Level	Function
1	VSS	—	GND(0V)
2	VDD	—	Power Supply (+5V)
3	V0	—	Operating Voltage for LCD
4	RS	H/L	H: data : L: Instruction code
5	R/W	H/L	H: read : L: write
6	E	H/L	Enable Signal
7-14	DB0-DB7	H/L	Data Bus
15	A	—	Power supply for LED backlight (+5V)
16	K	—	Power supply for LED backlight (-)

ABSOLUTE MAXIMUM RATING			
Item	Symbol	Min	Max
Operating Voltage	VDD	4.8	5.0
Operating Current	I _{DD}	-	1.8
LED Voltage	V _{LED}	4.8	5.0
LED Current	I _{LED}	30	35
			40
			mA

Description	
1.	DISPLAY TYPE: STIMPOSITIVE YELLOW-GREY; STNEGATIVE BLUE.
2.	Viewing Direction: 6 O'CLOCK.
3.	Palatizer Mode: Transitive/ Transreflective/Relative.
4.	Color of Backlight: Yellow/Green; White;
5.	Operating Temp: -20° ~ 50°C.
6.	Storage Temp: -20° ~ 60°C.
7.	Character Table: English; Japanese; European; Cyrillic.
8.	Operating Voltage Option: 5.0V



REVISION RECORD	DATE	SHENZHEN ET TECHNOLOGY CO.,LTD.
1		Model No.: ET-C1602CV1
2		Part No.: SPEC-ET-C1602CV1
3		DRAWN OY
4		CHECKED DATE 2011.07.05
5		APPROVED DATE
6		SCALE: 1:1

REVISION RECORD	DATE	SHENZHEN ET TECHNOLOGY CO.,LTD.
1		Model No.: ET-C1602CV1
2		Part No.: SPEC-ET-C1602CV1
3		DRAWN OY
4		CHECKED DATE 2011.07.05
5		APPROVED DATE
6		SCALE: 1:1

REVISION RECORD	DATE	SHENZHEN ET TECHNOLOGY CO.,LTD.
1		Model No.: ET-C1602CV1
2		Part No.: SPEC-ET-C1602CV1
3		DRAWN OY
4		CHECKED DATE 2011.07.05
5		APPROVED DATE
6		SCALE: 1:1