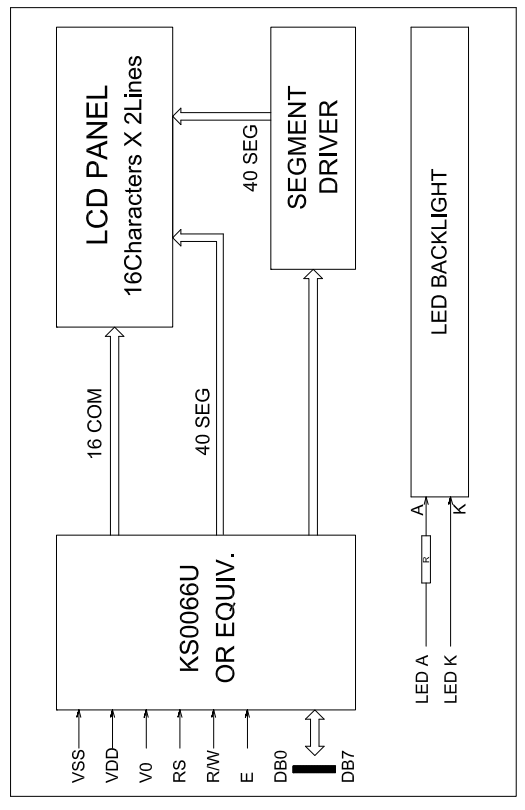
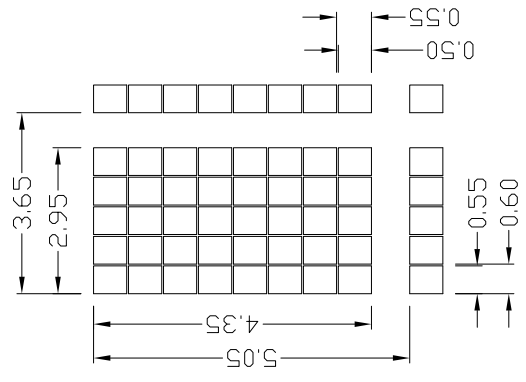


Pin.No	Symbol	Level	Function
1	VSS	—	GND(0V)
2	VDD	—	Power Supply (+5&3.3V)
3	V0	—	Operating Voltage for LCD
4	RS	H/L	H: data ; L: Instruction code
5	R/W	H/L	H: read ; L: write
6	E	H/L	Enable Signal
7-14	DB0-DB7	H/L	Data Bus
15	A	—	Power supply for LED backlight (+5V)
16	K	—	Power supply for LED backlight (-)

**ABSOLUTE MAXIMUM RATING**

Item	Symbol	Min	Type	Max	Unit
Operating Voltage	VDD	5.0&3.3			V
Operating Current	IDD	-	1.8	2.2	mA
LED Voltage	VLED	4.8	5.0	5.2	V
LED Current	ILED	-	100	-	mA

- Description**
- DISPLAY TYPE: STN/POSITIVE YELLOW-GREY ; STN/NEGATIVE BLUE .
  - Viewing Direction: 6 O'CLOCK.
  - Polarizer Mode: Transitive/Transflective/Reflective.
  - Color of Backlight: Yellow/Green ; White ;
  - Operating Temp: -20° ~ 70°C.
  - Storage Temp: -30° ~ 80°C.
  - Character Table: English; Japanese; European; Cyrillic.
  - Driving condition: 1/16duty, 1/5bias, VOP=4.5V, VDD=5.0&3.3V



REVISION RECORD		DATE	SHENZHEN ET TECHNOLOGY CO.,LTD.	
A	FRIST ISSUE		HTTP:// www.eastet.com	E-mail: east@eastet.com
B	Modify BZ V,A and temp		TITLE: LCM OUTLINE DIMENSION	GEN.TOL.: ±0.2
C			Model No.: ET-C1602AV3	PRO.(3):
D			Part No.: SPEC-ET-C1602AV3	VER.: B
E			DRAWN OY	DATE 2011.06.09
F			CHECKED	DATE
			APPROVED	DATE
				SHEET: 1/1
				UNIT: mm
				SCALE: 1:1