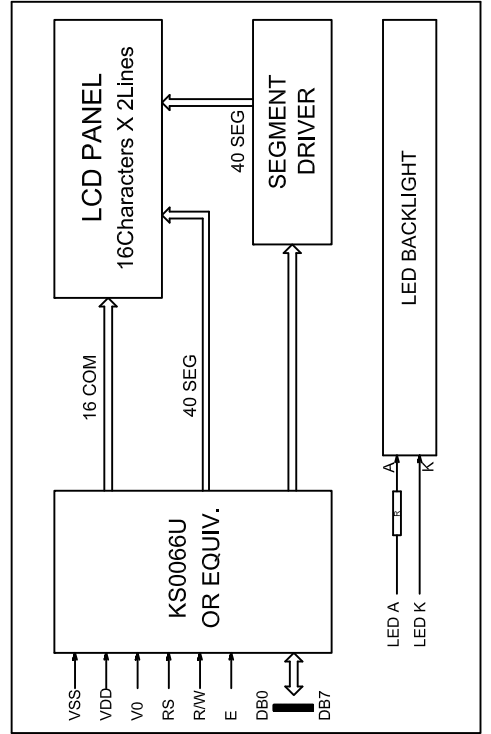


Pin.No	Symbol	Level	Function
1	VDD	—	Power Supply (+5V)
2	VSS	—	GND(0V)
3	V0	—	Operating Voltage for LCD
4	RS	H/L	H: data ; L: Instruction code
5	R/W	H/L	H: read ; L: write
6	E	H/L	Enable Signal
7-14	DB0-DB7	H/L	Data Bus
15	A	—	Power supply for LED backlight (+5V)
16	K	—	Power supply for LED backlight (-)

ABSOLUTE MAXIMUM RATING			
Item	Symbol	Min	Type Max Unit
Operating Voltage	VDD	4.8	5.2 V
Operating Current	I <sub>DD</sub>	-	1.8 2.2 mA
LED Voltage	V <sub>LED</sub>	-	- V
LED Current	I <sub>LED</sub>	-	- mA

Description	
1.DISPLAY TYPE: STNPOSITIVE YELLOW-GRAY; STNNEGATIVE BLUE.	
2.Viewing Direction: 6 O'CLOCK.	
3.Polarizer Mode: Transitive/ Transflective/Reflective.	
4.Color of Backlight: ;	
5.Operating Temp: -40° ~ 50°C.	
6.Storage Temp: -20° ~ 60°C.	
7.Character Table: English; Japanese; European; Cyrillic.	
8.Operating Voltage Option: 5.0V	



REVISION RECORD		DATE	SHENZHEN ET TECHNOLOGY CO.,LTD.	
A	FIRST ISSUE	2013-5-8	E-mail: east@eastel.com	
B			GEN.TOL.: ±0.2	
C			PRO.(3):	
D			VER.: A	
E			SHEET: 1/1	
F			UNIT: mm	
			SCALE: 1:1	