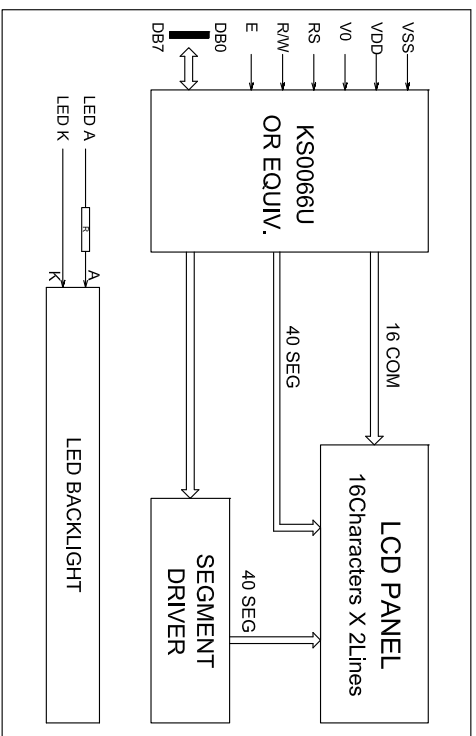


Pin.No	Symbol	Level	Function
1	VSS	—	GND(0V)
2	VDD	—	Power Supply (+5V)
3	V0	—	Operating Voltage for LCD
4	RS	H/L	H: data ; L: Instruction code
5	RAW	H/L	H: read ; L: write
6	E	H/L	Enable Signal
7-14	DB0-DB7	H/L	Data Bus
15	A	—	Power supply for LED backlight (+5V)
16	K	—	Power supply for LED backlight (-)

ABSOLUTE MAXIMUM RATING			
Item	Symbol	Min	Max
Operating Voltage	VDD	4.8	5.0
Operating Current	I _{DD}	-	1.8
LED Voltage	V _{LED}	4.8	5.0
LED Current	I _{LED}	-	100

- Description**
- 1.DISPLAY TYPE: ST/POSITIVE YELLOW-GREY ; ST/NEGATIVE BLUE .
 - 2.Viewing Direction: 6 O'CLOCK.
 - 3.Polarizer Mode: Transilve/ Transflective/Reflective.
 - 4.Color of Backlight: Yellow/Green ; White ;
 - 5.Operating Temp: -0° ~ 50°C.
 - 6.Storage Temp: -20° ~ 60°C.
 - 7.Character Table: English; Japanese; European; Cyrillic.
 - 8.Operating Voltage Option: 5.0V



REVISION RECORD		DATE	SHENZHEN ET TECHNOLOGY CO.,LTD.	
1			HTTP://WWW.ASISTEL.COM	E-mail: east@asistel.com
2			TITLE: LCM OUTLINE DIMENSION	GEN.TOL.: ±0.2
3			Model No.: ET-C1602AV1	PRO.(3):
4			Part No.: SPEC-ET-C1602AV1	VER.: A
5			DRAWN OY	DATE 2011.07.18 SHEET: 1/1
6			CHECKED	DATE UNIT: mm
			APPROVED	DATE SCALE: 1:1

A

B

C

D

A

B

C

D

1

2

3

由 Autodesk 教育版产品制作

6

7

8

1

2

3

由 Autodesk 教育版产品制作

6

7

8

由 Autodesk 教育版产品制作