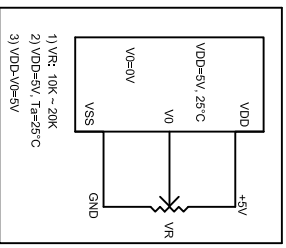
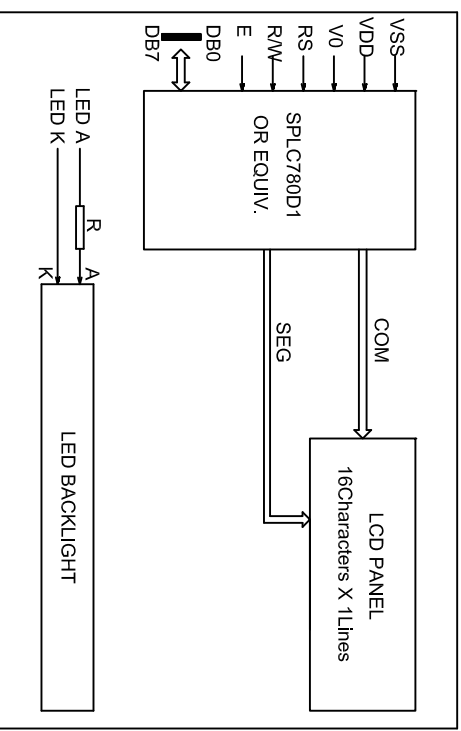


LCD 字符的第7行与第8行有0.54间距, 请确认



Pin No	Symbol	Function
1	VSS	GND
2	VDD	Power Supply
3	V0	Operating Voltage for LCD
4	RS	H: data : L: Instruction code
5	R/W	H: read : L: write
6	E	Enable Signal
7-14	DB0-DB7	Data Bus
15	A	Power supply for LED backlight
16	K	Power supply for LED backlight

ABSOLUTE MAXIMUM RATING			
Item	Symbol	Min	Max
Operating Voltage	VDD	4.8	5.2
Operating Current	IDD	-	TBD
LED Voltage	VLED	2.9	3.3
LED Current	ILED	-	40

Description  
 1.DISPLAY TYPE: FSTN/POSITIVE (STN/POSITIVE YELLOW-GREY.)  
 2.Viewing Direction: 6 O'CLOCK.  
 3.Polarizer Mode: TRANSMISSIVE  
 4.Color of Backlight: White.  
 5.Operating Temp: -20° ~ 70°C.  
 6.Storage Temp: -30° ~ 80°C.  
 7.Driving condition: 1/16Duty, 1/5Bias, Vop=5.0V, Vdd=5.0V

REVISION RECORD		DATE	DATE
1			
2			
3			
4			
5			
6			

		SHENZHEN ET TECHNOLOGY CO.,LTD.	
HTTP://WWW.48888.COM E-mail: east@eastel.com			
TITLE: LCM OUTLINE DIMENSION		GEN.TOL.: ±0.2	
Model No.: ET-C1601BV3		Pro.(3):	
Part No.: SPEC-ET-C1601BV3		VER.: A	
DRAWN: OU		DATE: 2010.08.04	
CHECKED:		SHEET: 1/1	
APPROVED:		UNIT: mm	
SCALE: 1:1		DATE:	