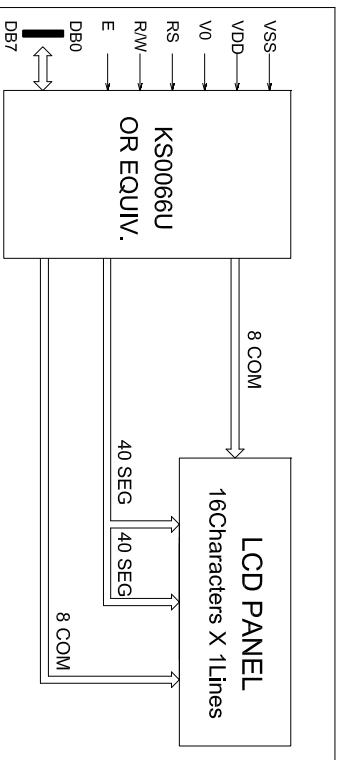
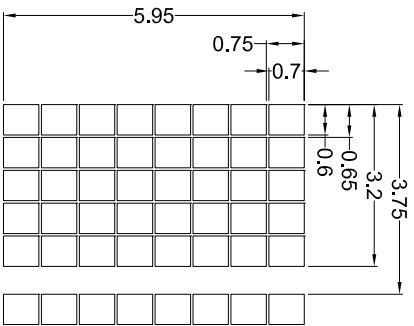
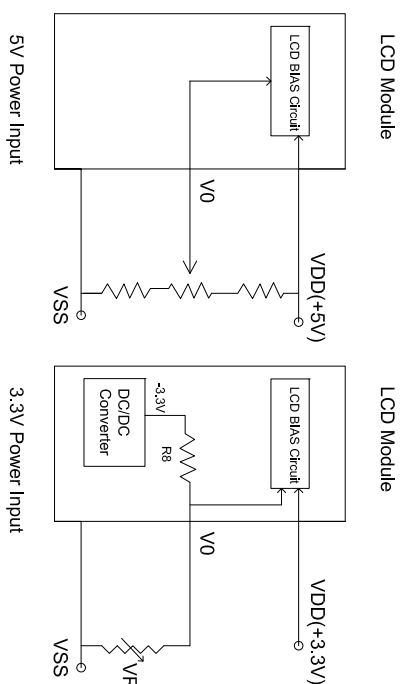


detail dot 5:1



LED BACKLIGHT



Pin No	Symbol	Level	Function
1	VSS	—	GND(0V)
2	VDD	—	Power Supply (+3.3V)
3	V0	—	Operating Voltage for LCD
4	RS	H/L	H: data ; L: Instruction code
5	R/W	H/L	H: read ; L: write
6	E	H/L	Enable Signal
7-14	DB0-DB7	H/L	Data Bus
15	K	—	Power supply for LED backlight (-)
16	A	—	Power supply for LED backlight (+3.3V)

ABSOLUTE MAXIMUM RATING					
Item	Symbol	Min	Type	Max	Unit
Operating Voltage	VDD	3	3.3	3.5	V
Operating Current	I _{DD}	-	-	-	mA
LED Voltage	VLED	3	3.3	3.5	V
LED Current	ILED	—	30	-	mA

Description	
1.	DISPLAY TYPE: STN POSITIVE YELLOW-GREEN
2.	Viewing Direction: 6 O'CLOCK.
3.	Polarizer Mode: Transflective
4.	Color of Backlight: Yellow/Green
5.	Operating Temp: 0° ~ 50°C.
6.	Storage Temp: -20° ~ 60°C.
7.	Driving condition: 1/16 duty, 1/5 bias, VOP=4.5V, VDD=3.3V

REVISION RECORD		DATE	SHENZHEN ET TECHNOLOGY CO.,LTD.	
A	FRIST ISSUE		HTTP://www.easiet.com	E-mail: easiet@easiet.com
B	Modify VDD and VLED		TITLE: PCB OUTLINE DIMENSION	
C			Model No.: ET-C1601A/V1	PROJ(3):
D			Part No.: ET-C1601A/V1+YBSWSY	VER.:
E			DRAWN OY	DATE 2011.05.27
F			CHECKED	DATE
			APPROVED	DATE
				SCALE: 1:1