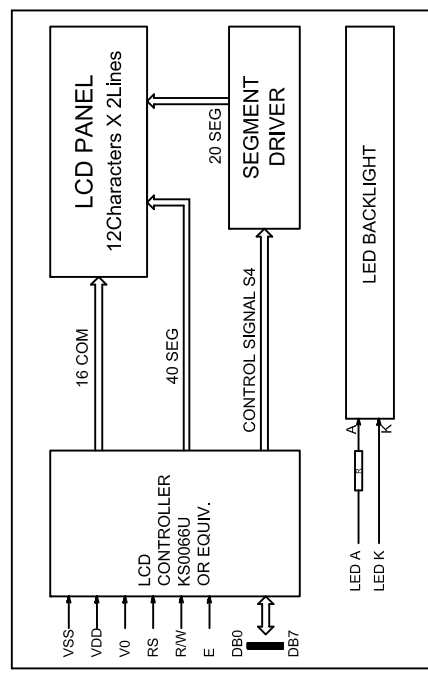
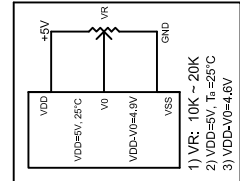


Detail Dots



Description	
1.	DISPLAY TYPE: STN/POSITIVE YELLOW-GREY ; STN/NEGATIVE BLUE .
2.	Viewing Direction: 12 O'CLOCK/6 O'CLOCK
3.	Polarizer Mode: Transitive/ Transflective/Reflective.
4.	Color of Backlight: White;Yellow/Green;
5.	Operating Temp: -20° ~ 70°C.
6.	Storage Temp: -30° ~ 80°C.
7.	Character Table: English; Japanese; European; Cyrillic.
8.	Operating Voltage Option: 5.0V

Pin.No	Symbol	Function
1	VSSK	Power Supply(GND)/LED B/L(-)
2	VDD	Power Supply(+)
3	V0	Contrast Adjust
4	RS	Register select signal
5	R/W	Data read/write
6	E	Enable Signal
7-14	DB0-DB7	Data Bus
15	A	Power supply for LED backlight (+)

ABSOLUTE MAXIMUM RATING				
Item	Symbol	Min	Type	Max
Operating Voltage	VDD	4.8	5.0	5.2
Operating Current	IDD	-	1.5	2.5
LED Voltage	VLED	-	-	-
LED Current	I LED	-	-	-

REVISION RECORD		DATE	SHENZHEN ET TECHNOLOGY CO.,LTD.	
A	FIRST ISSUE	2013-5-14	Http://www.eastel.com	E-mail: east@eastel.com
B			TITLE: LCM OUTLINE DIMENSION	GEN.TOL.: ±0.2
C			Model No.: ET-C1202A	PRO.(3):
D			Part No.: SPEC-ET-C1202AV1	VER.: A
E			DRAWN YSN	DATE 2013-5-14
F			CHECKED	DATE
			APPROVED	DATE
				SCALE: 1:1